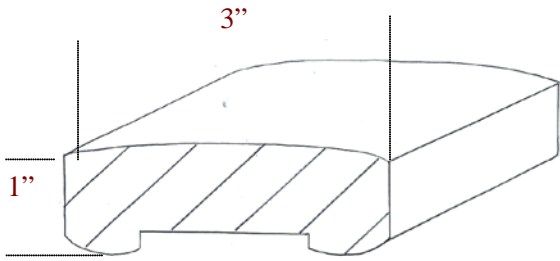
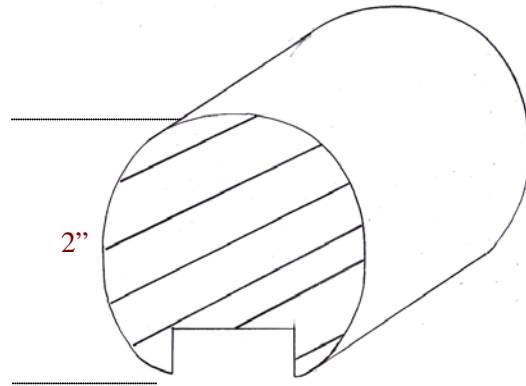


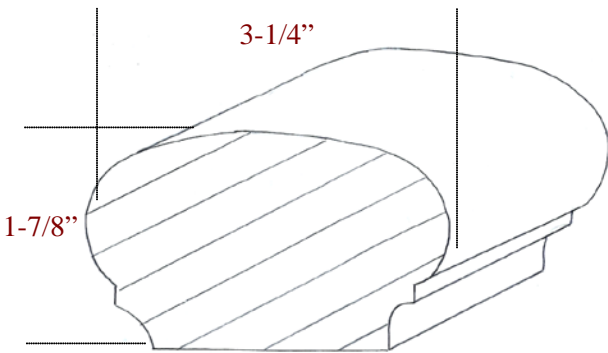
Handrails



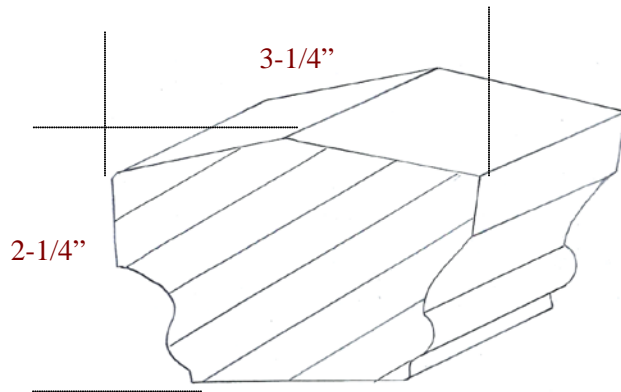
C-801



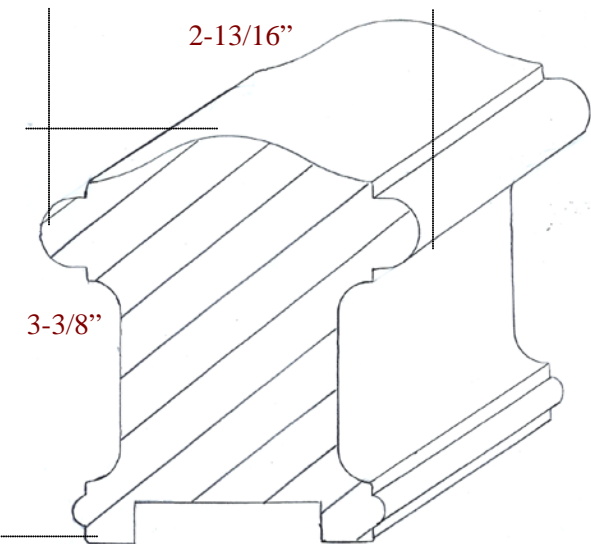
C-802



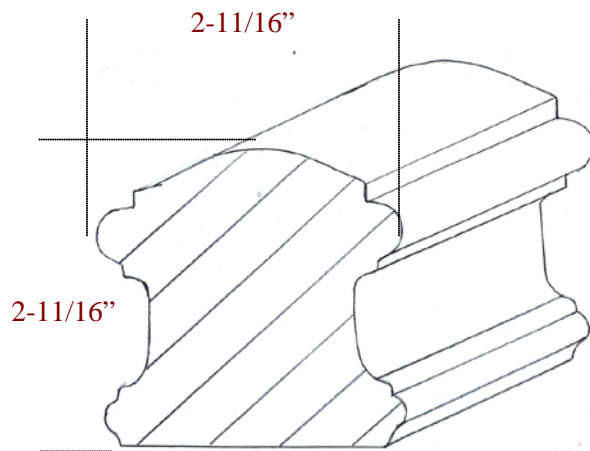
C-803



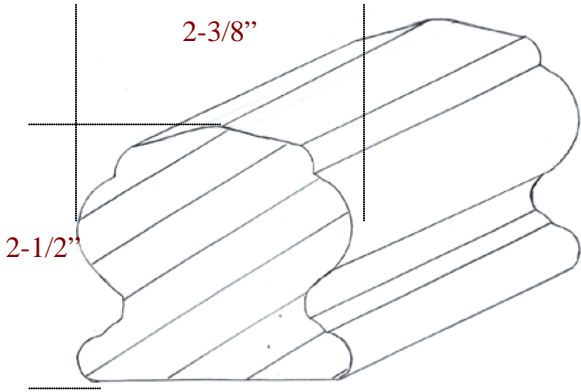
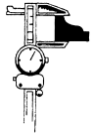
C-804



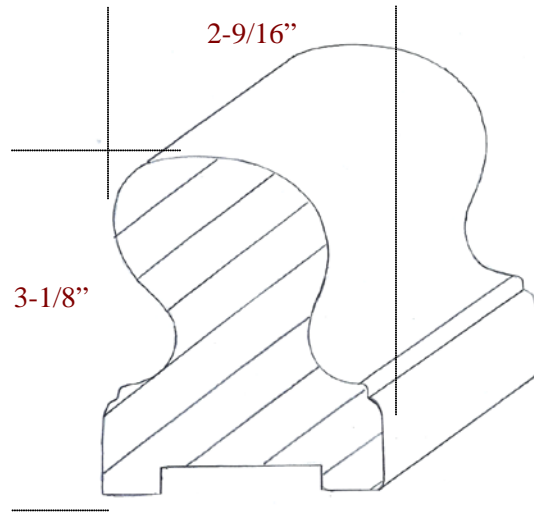
C-805



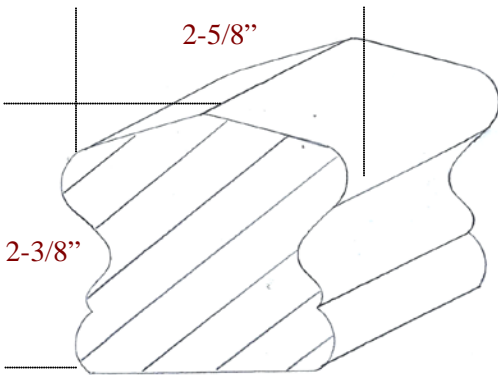
C-806



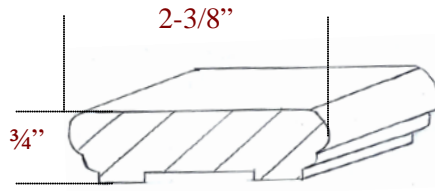
C-807



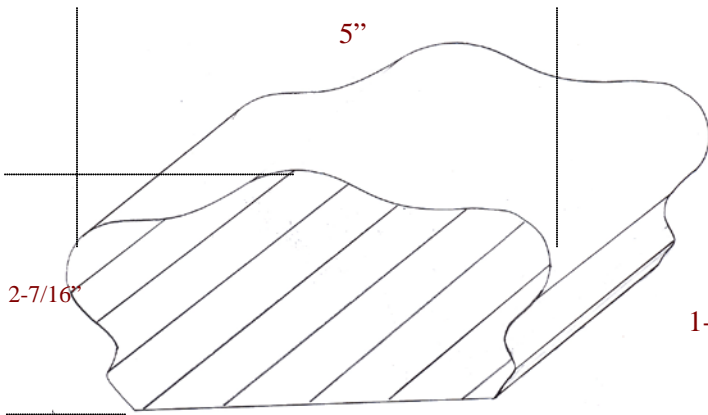
C-808



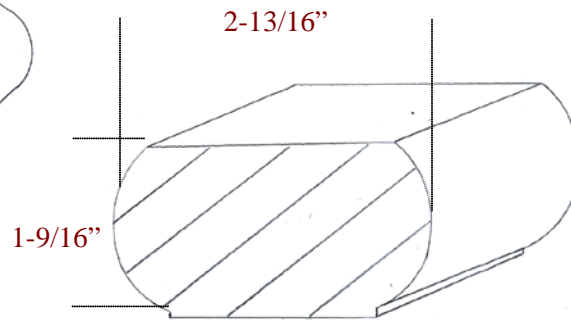
C-809



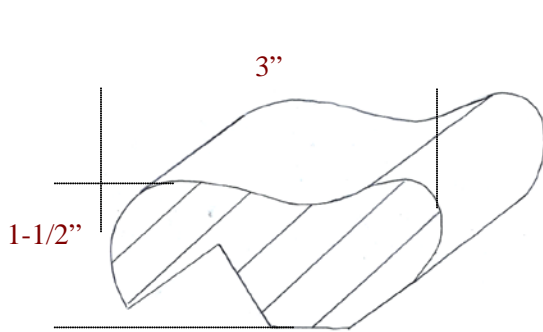
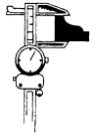
C-810



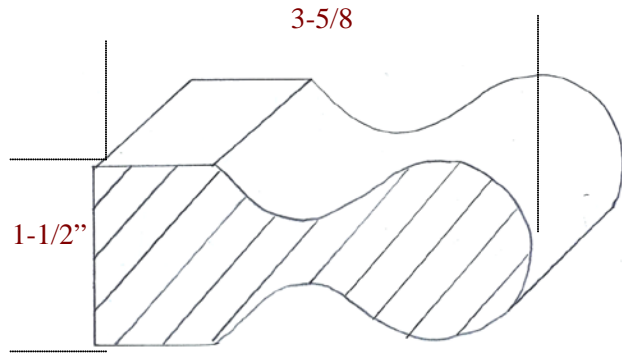
C-811



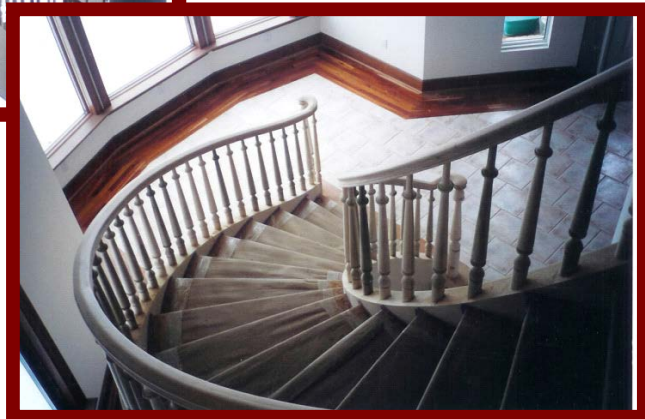
C-812



C-814
Bar Rail

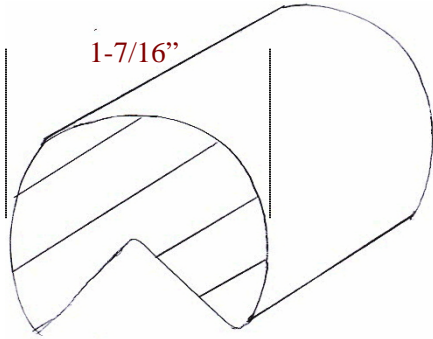


C-815

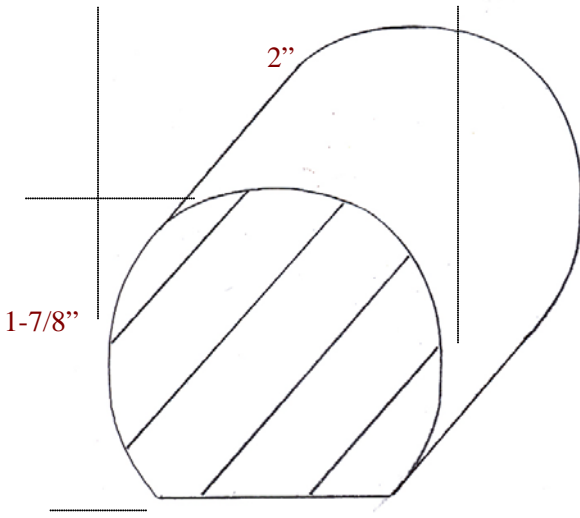




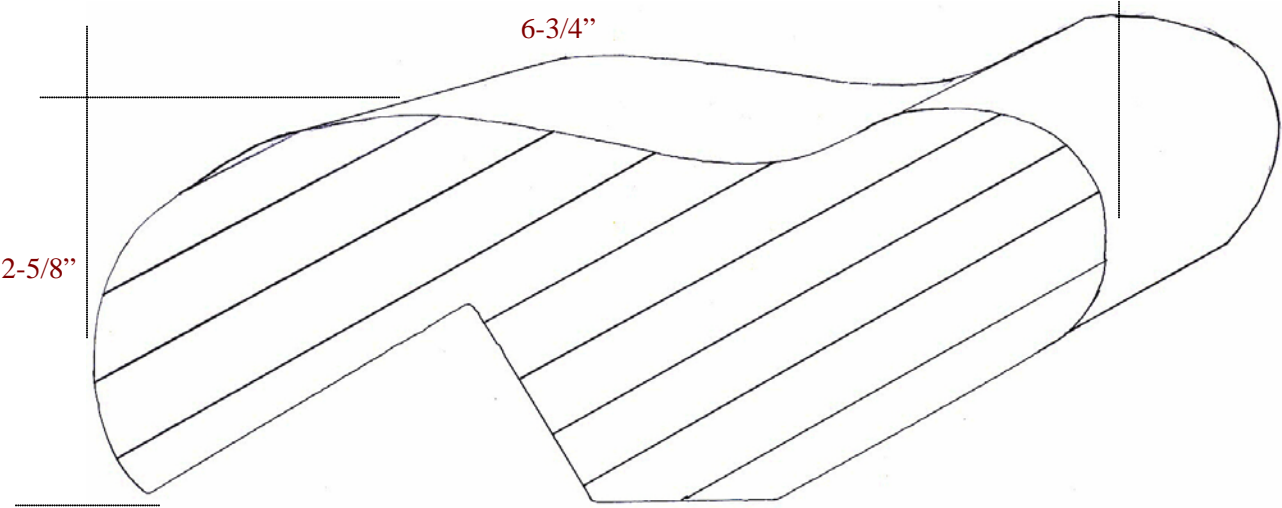
10-4



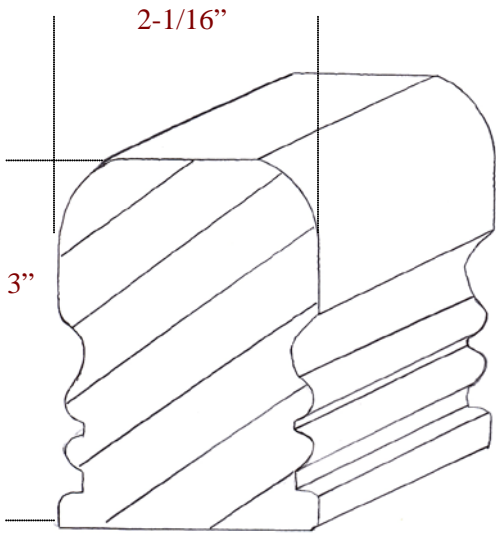
C-816



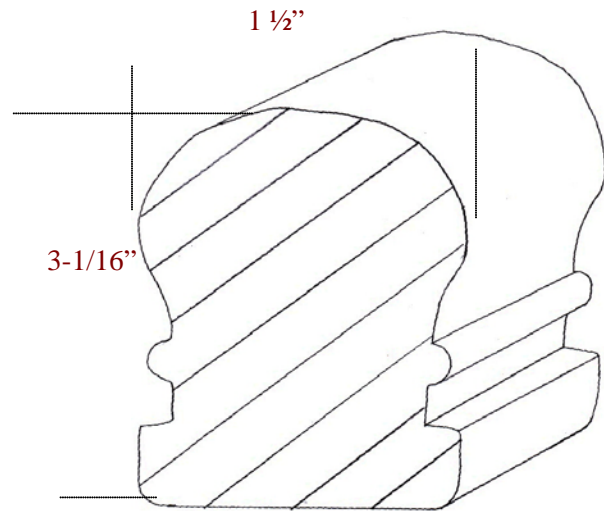
C-818



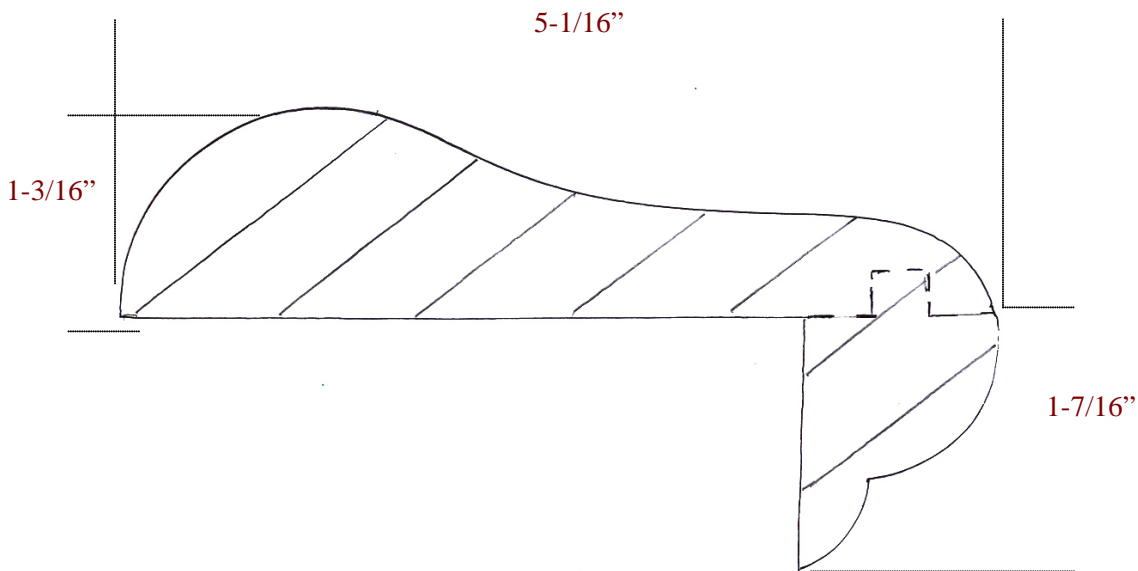
C-817



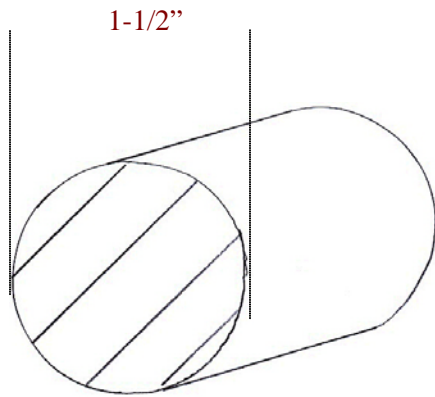
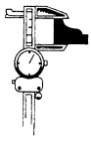
C-819



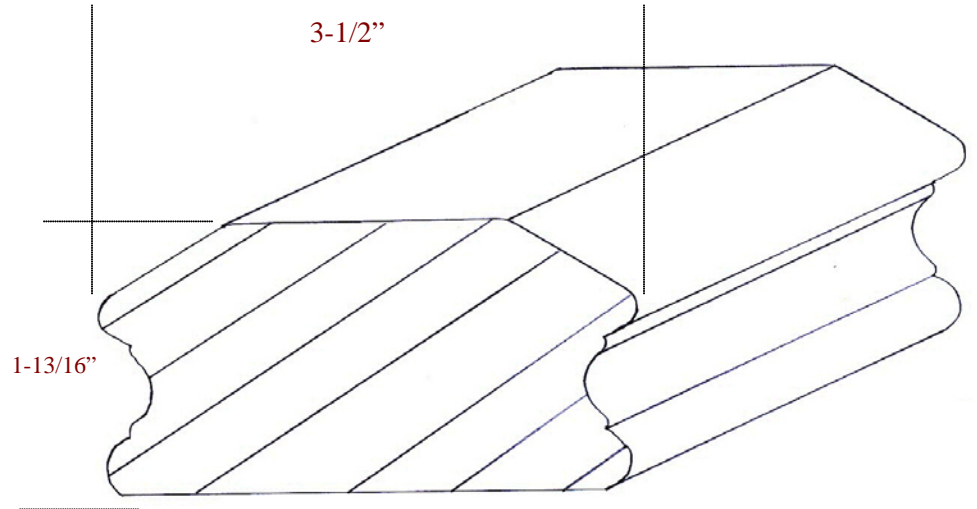
C-821



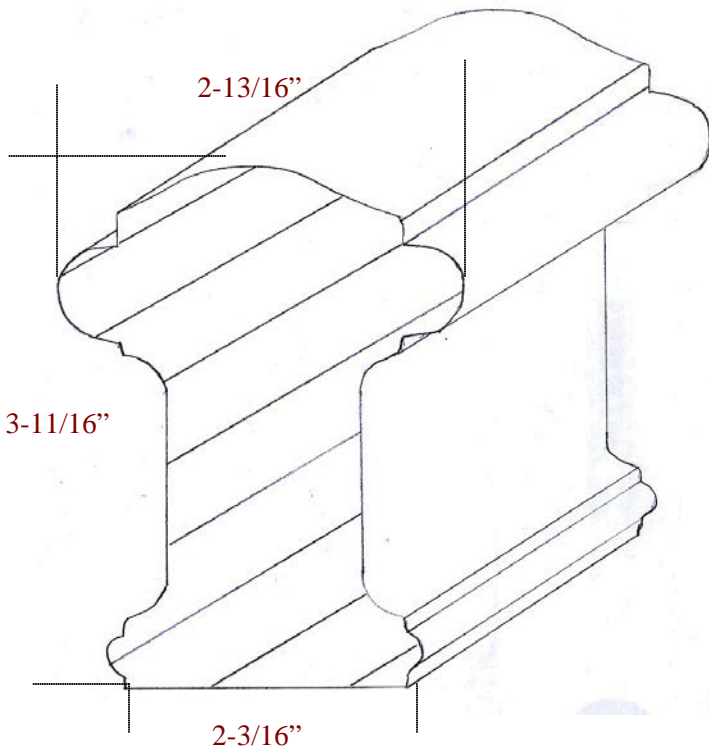
C-820
Two-Part Handrail System



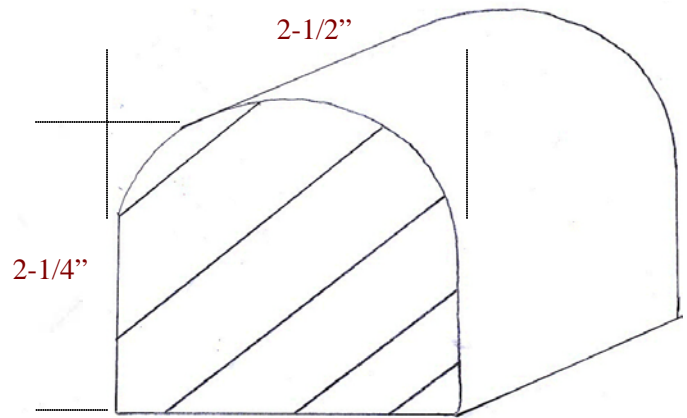
C-823



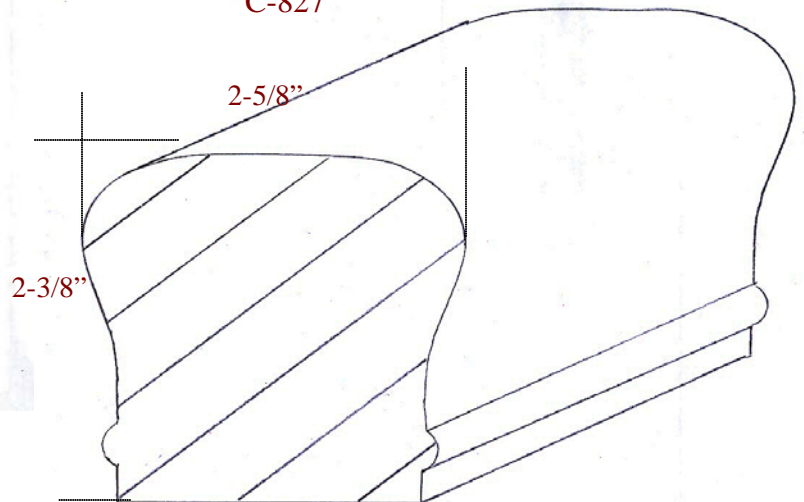
C-824



C-828



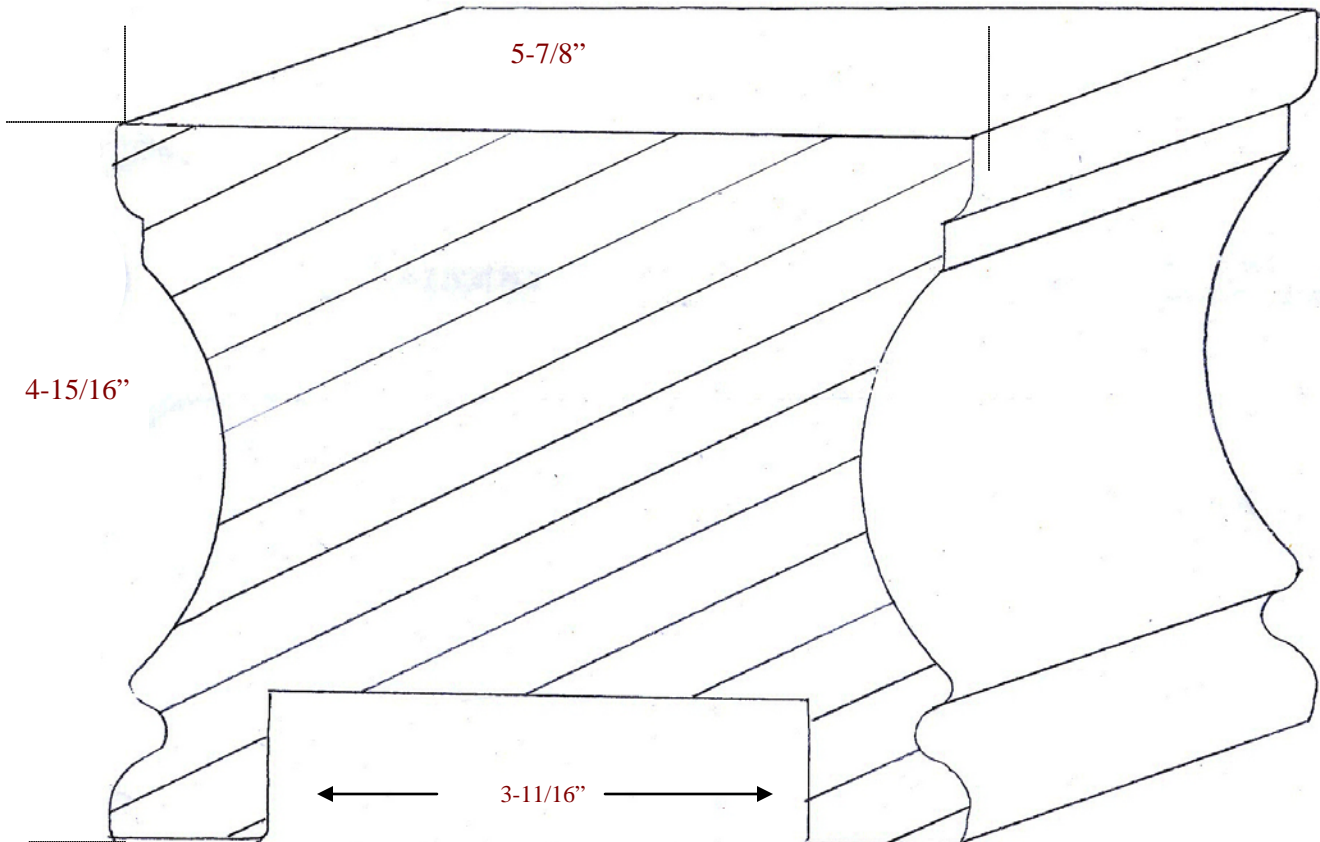
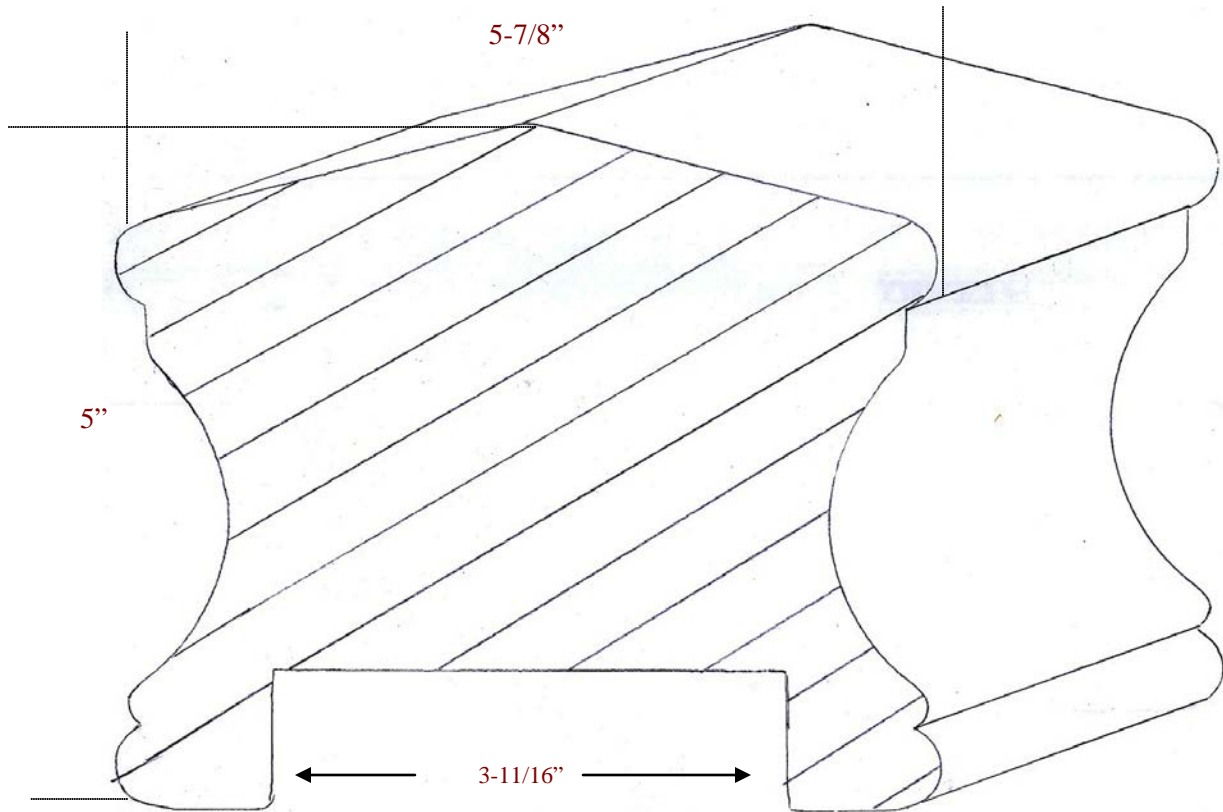
C-827



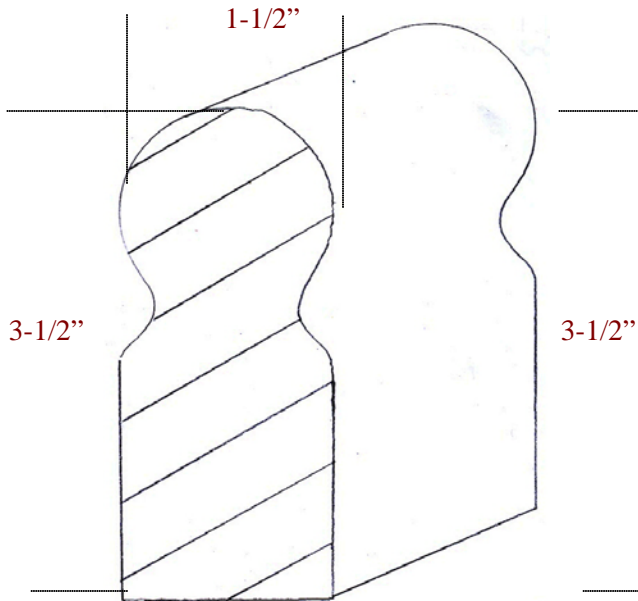
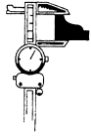
C-829



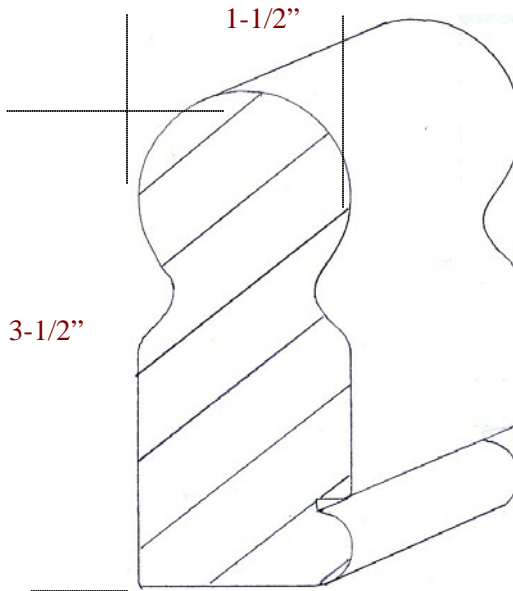
C-830



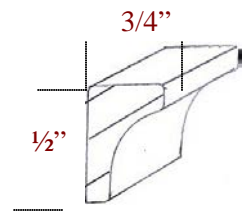
C-831 Sub Rail



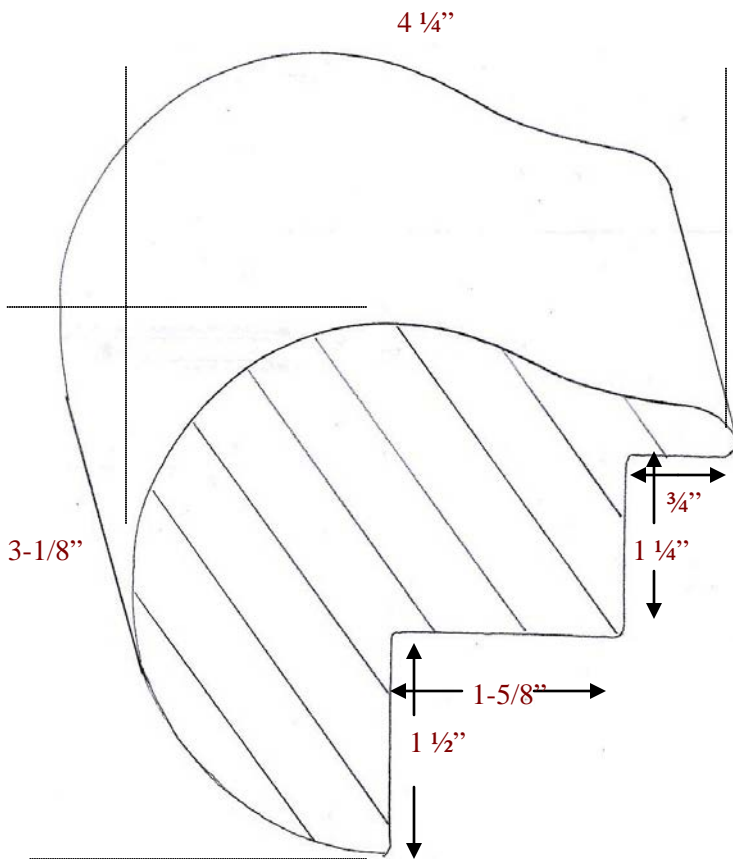
C-833



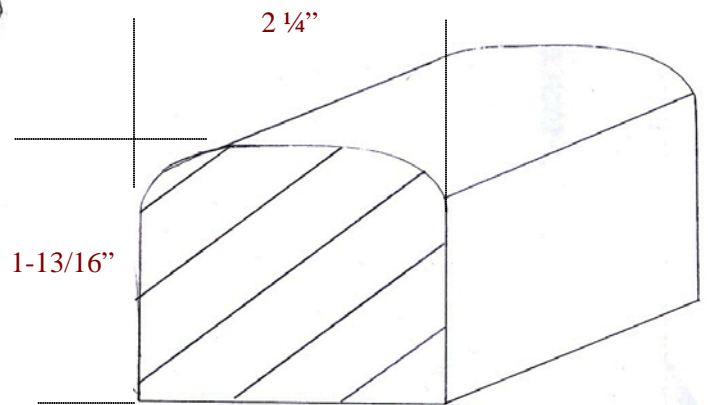
C-833A



C-834
Scotia



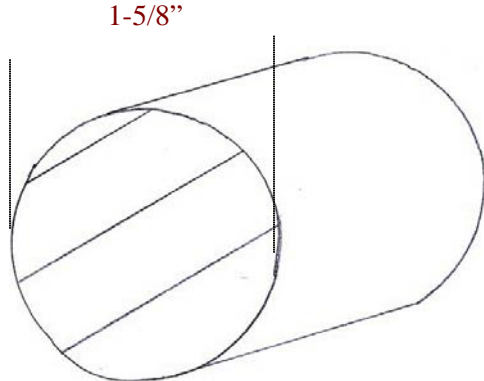
C-835



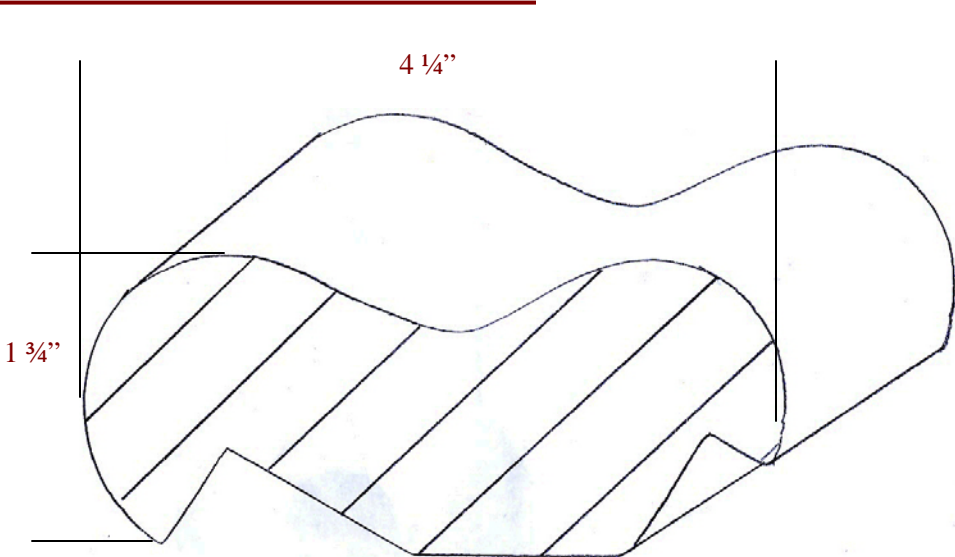
C-836



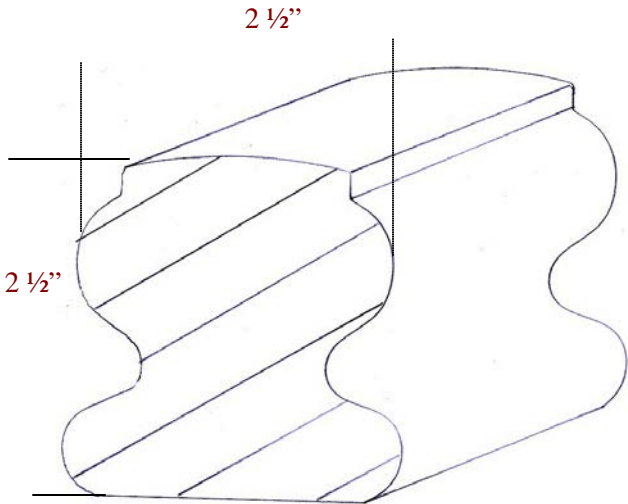
10-9



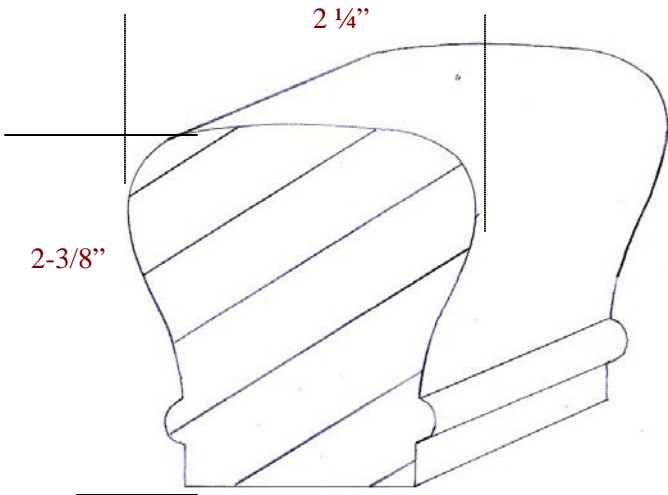
C-837



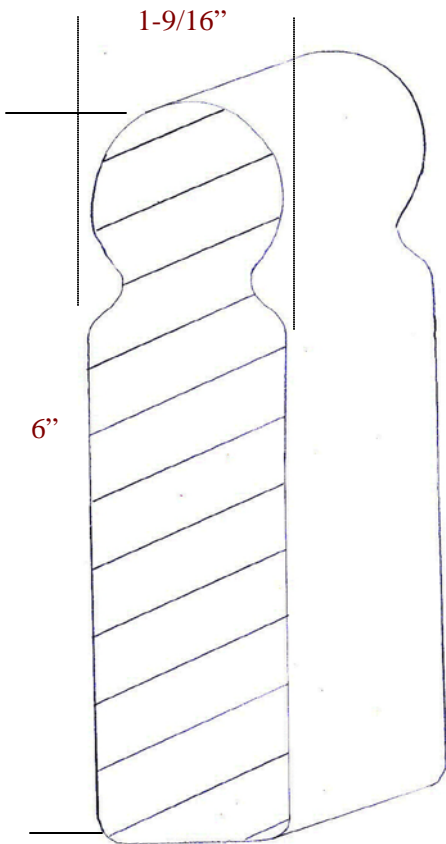
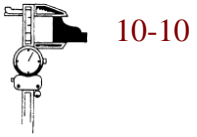
C-838



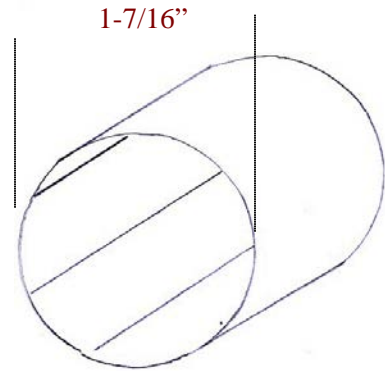
C-839



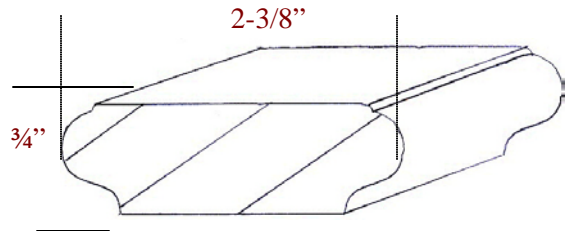
C-840



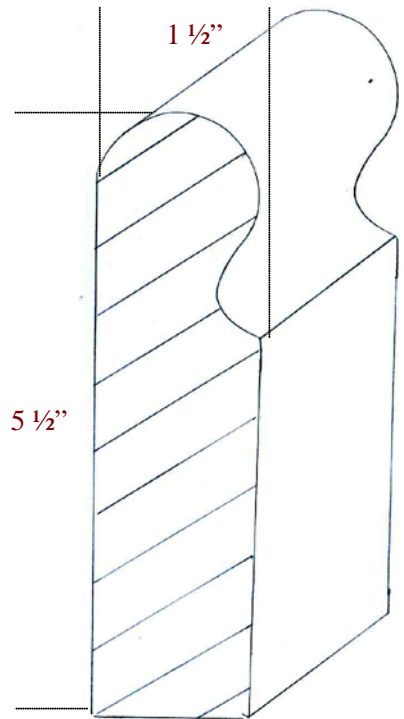
C-841



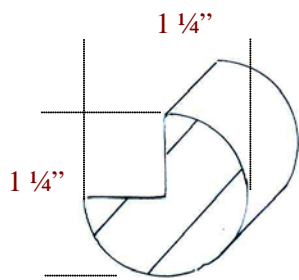
C-842 (C-843, 2" & C-845, 1 1/4")



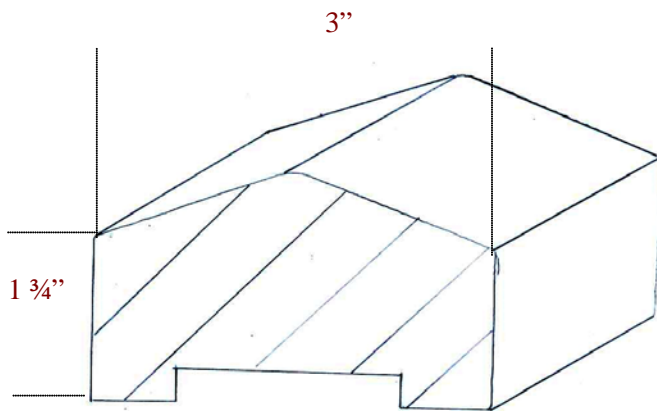
C-844



C-848



C-846



C-847