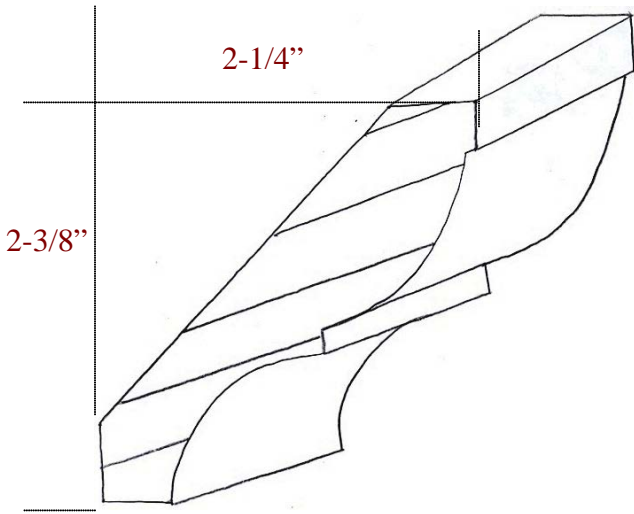
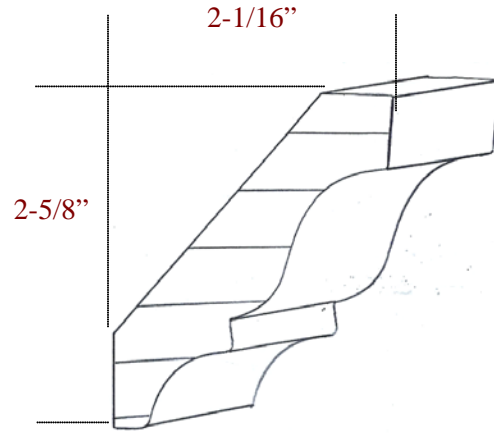


# Crown Moldings

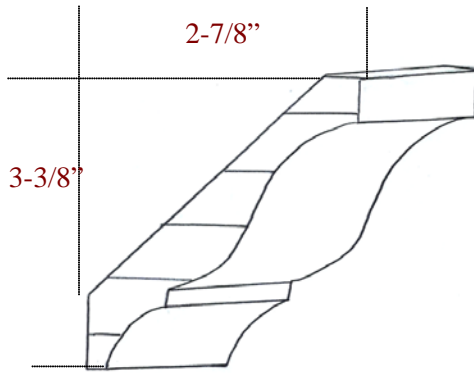
---



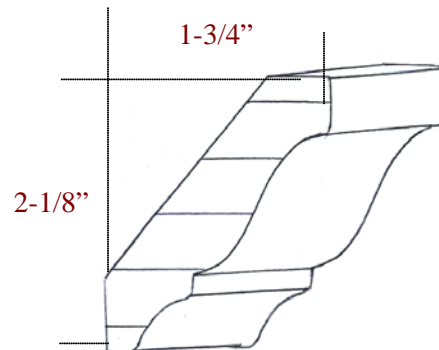
C-300



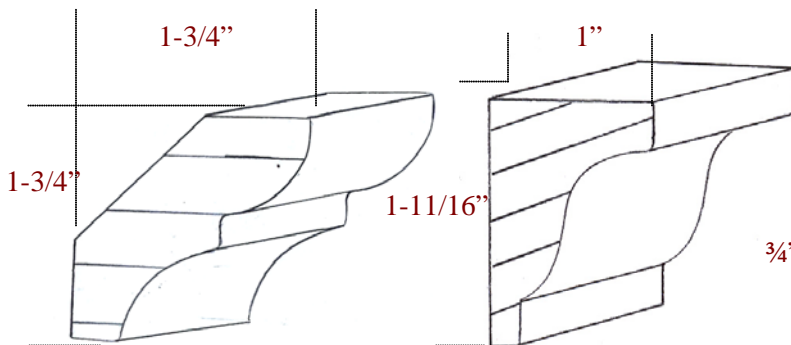
S-301



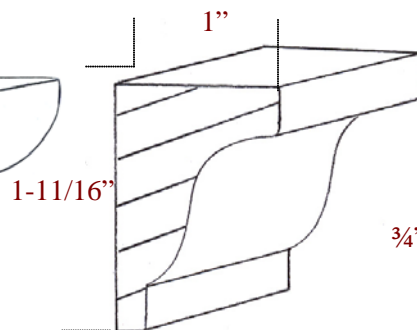
C-302



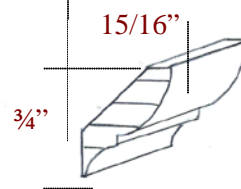
C-303



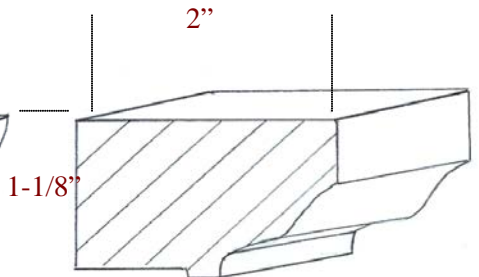
C-304



C-305  
Cabinet Crown



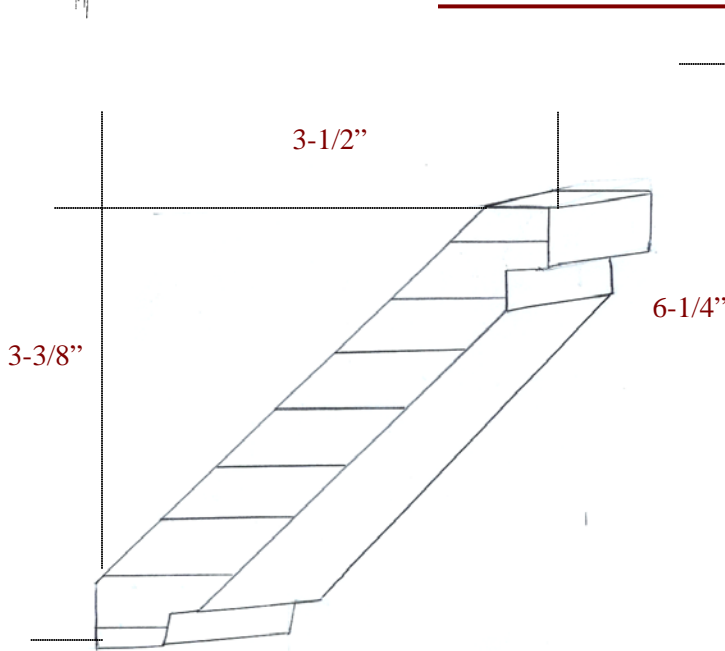
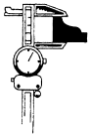
C-306  
Bed Molding



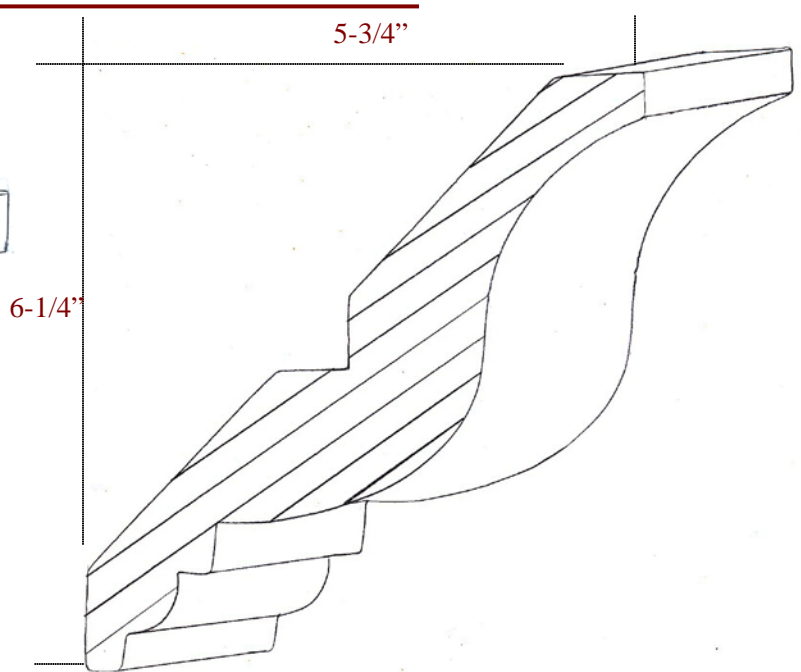
C-310  
Cabinet Crown

\*\*C-307, S-308, S-309, See Covers

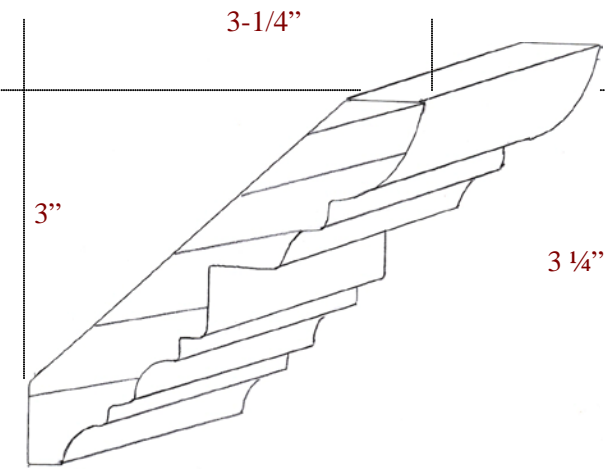
---



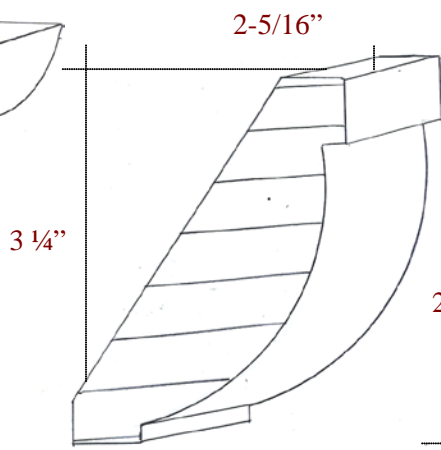
C-311



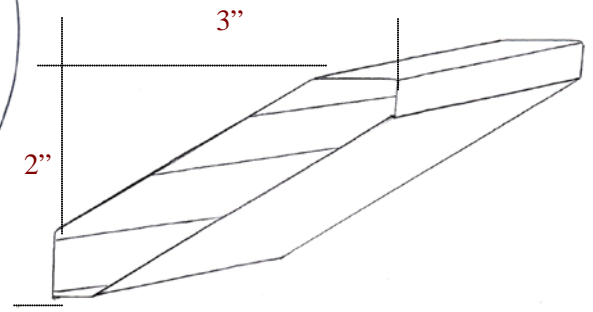
C-313



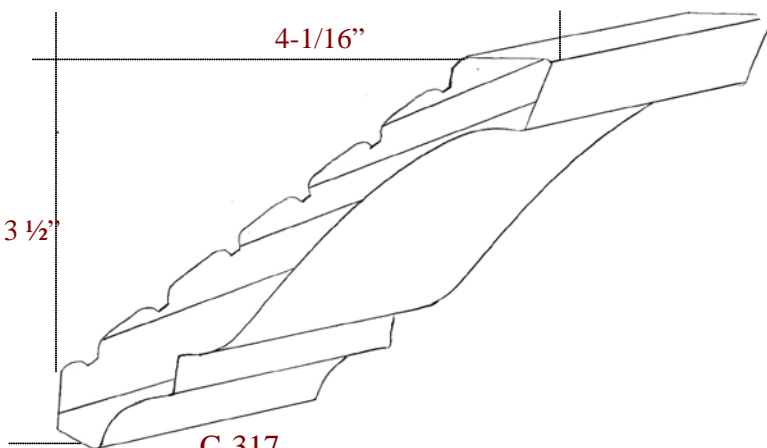
C-314



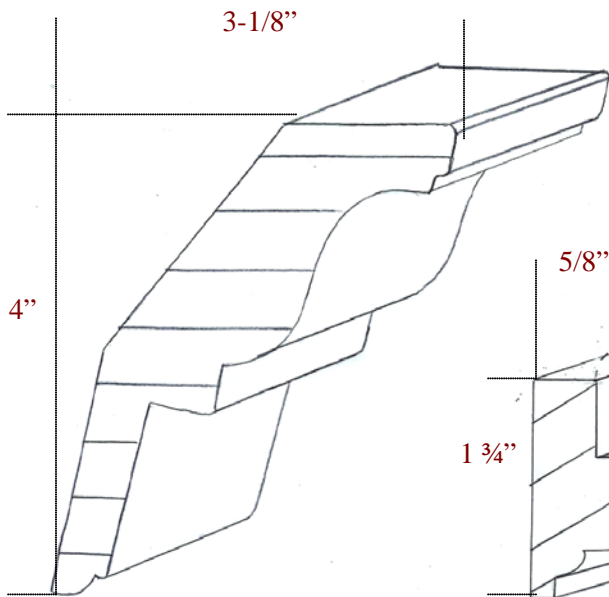
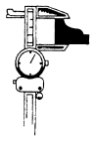
C-315



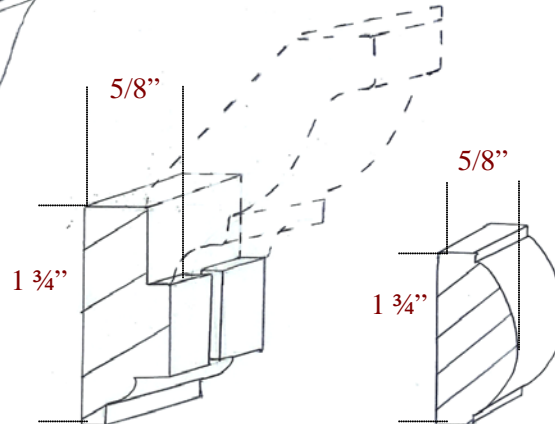
C-316



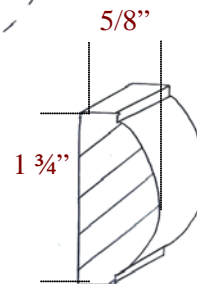
C-317



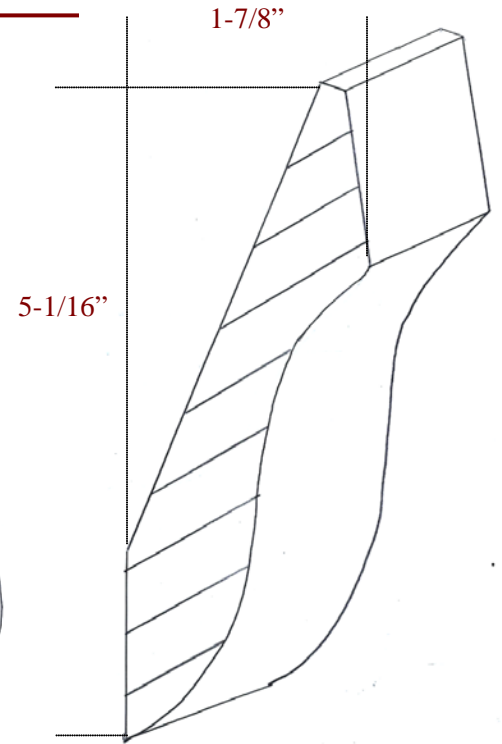
C-318



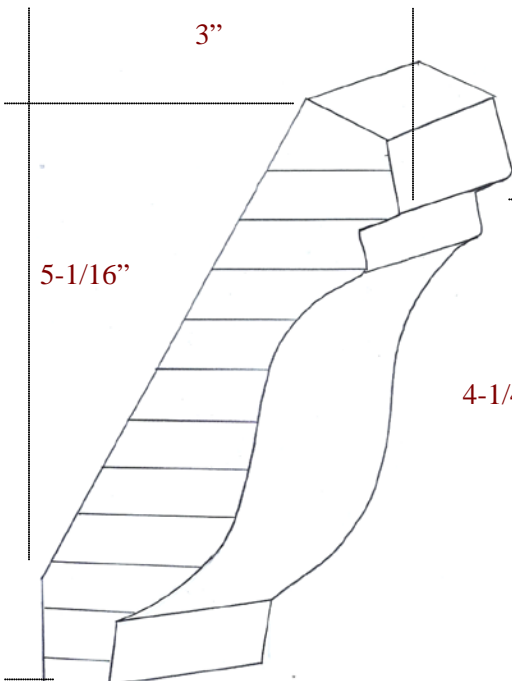
C-319



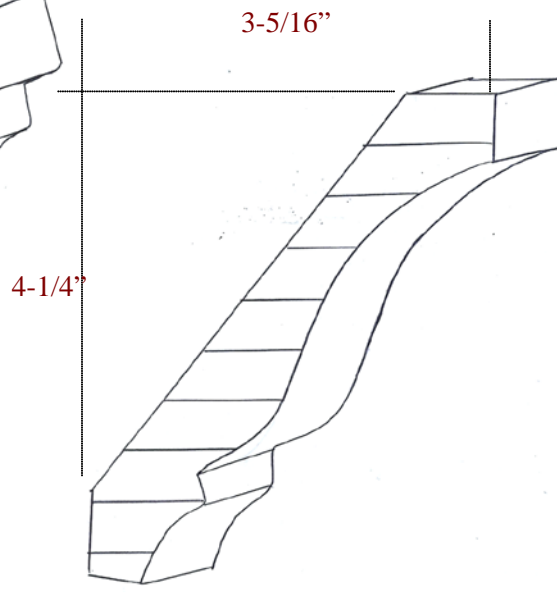
C-320



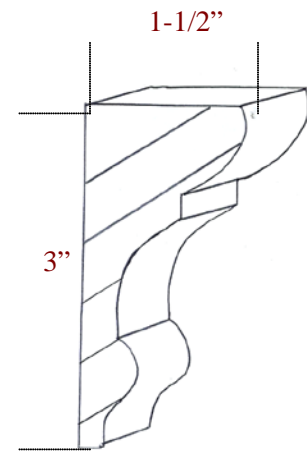
C-321



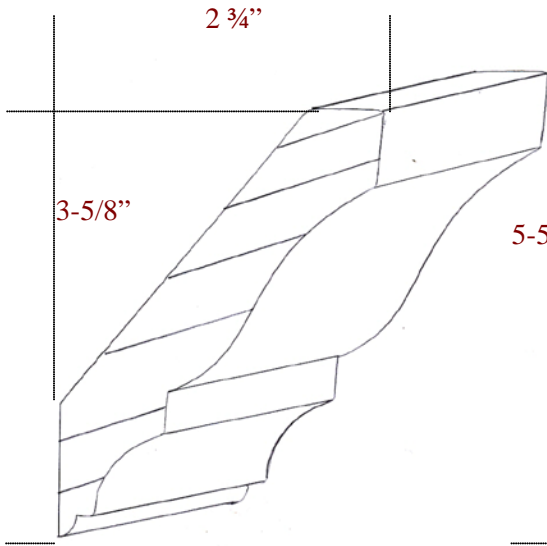
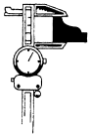
C-322



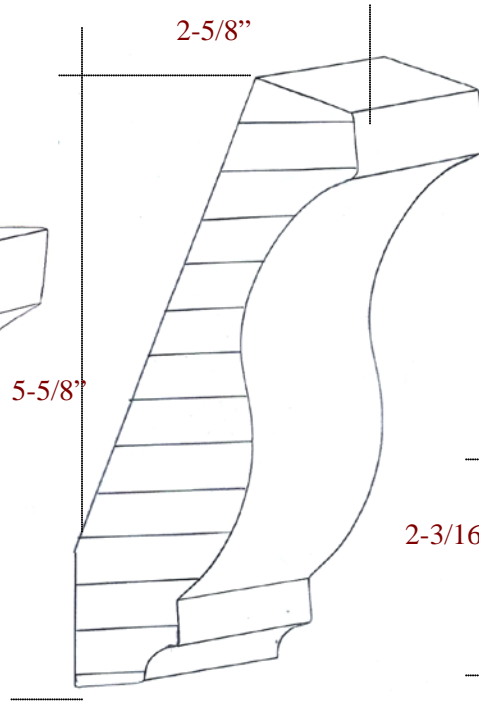
C-323



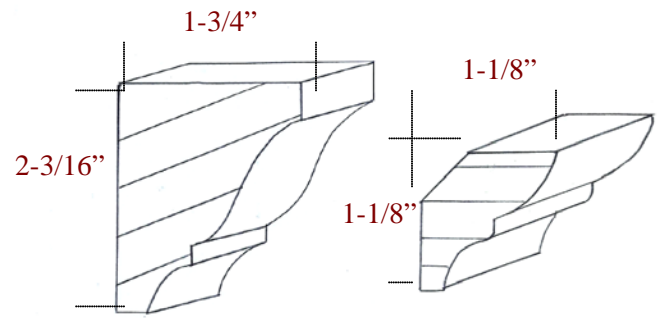
C-324



C-325

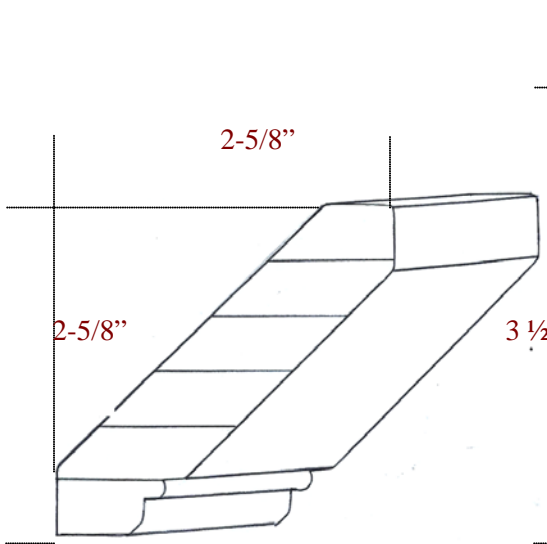


C-326

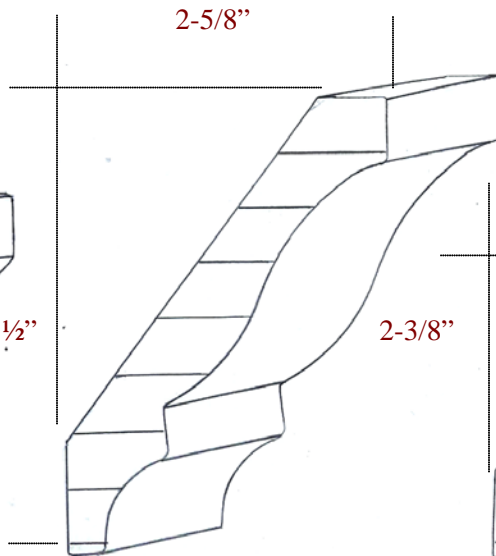


C-327

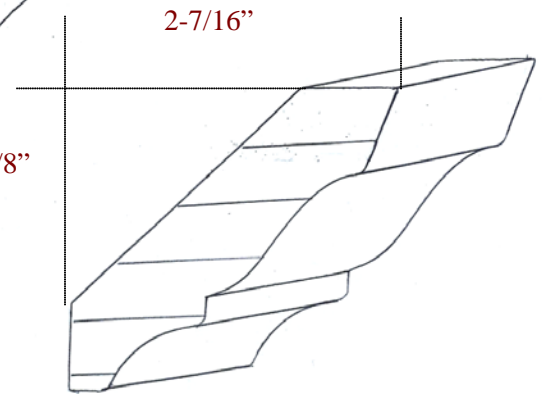
S-328  
Bed Molding



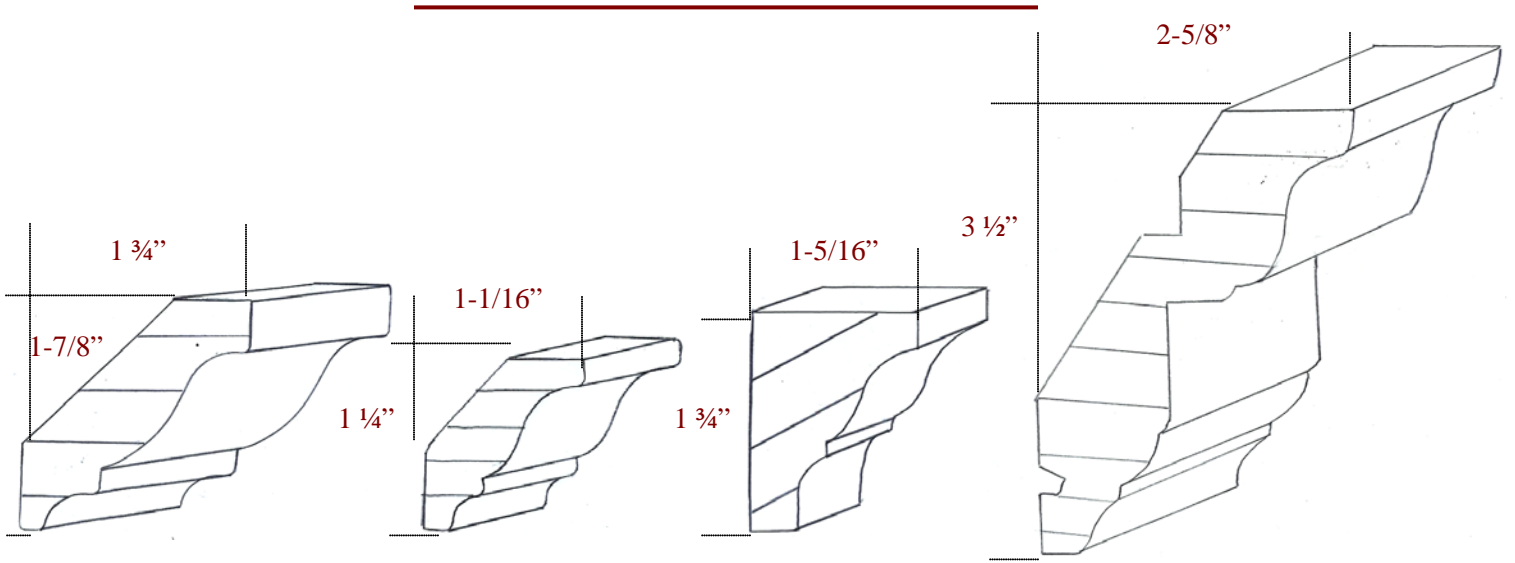
S-329  
\* Reversible \*



S-330



S-331  
\*\*with cleat is S-3051\*\*

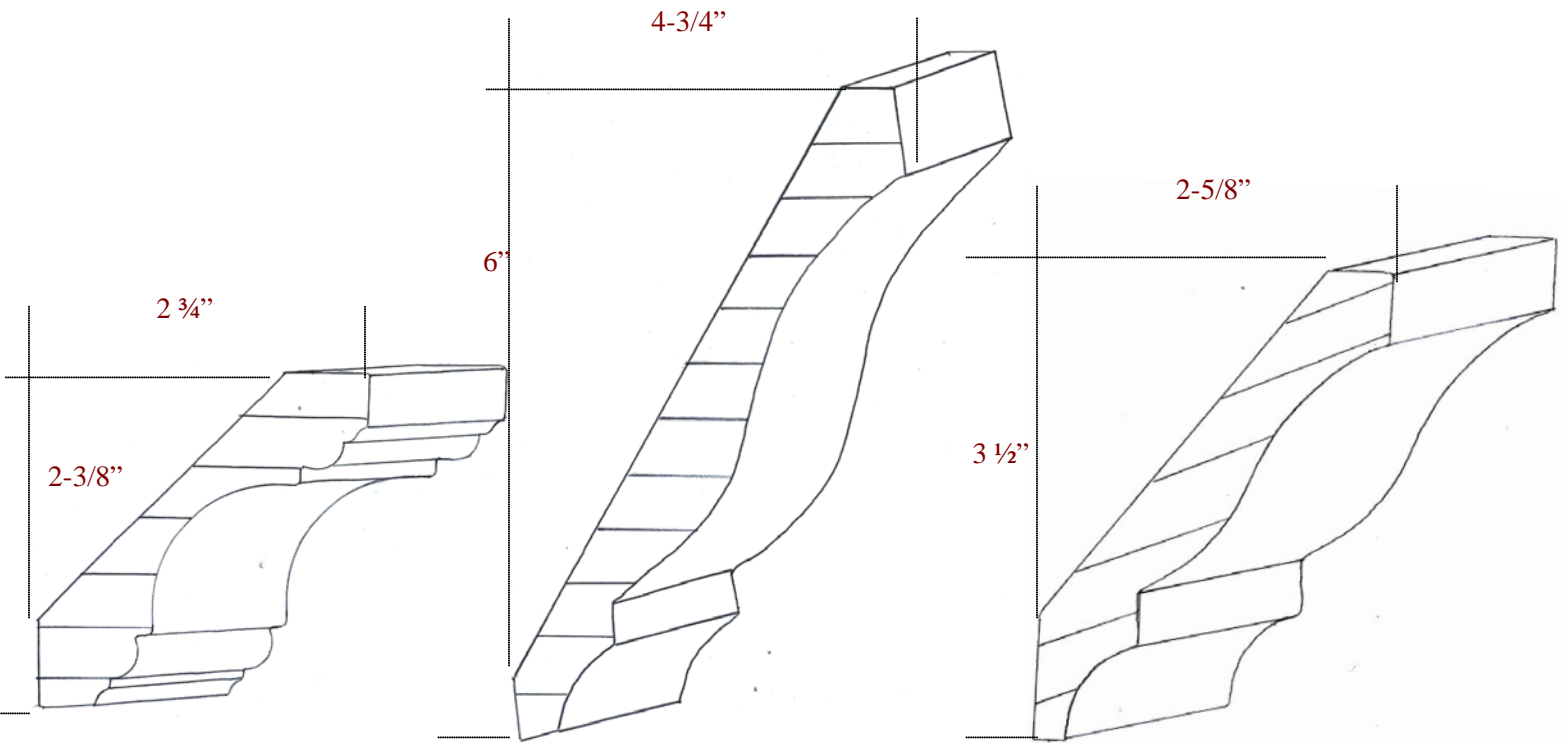


S-332

S-333

R-333

S-334

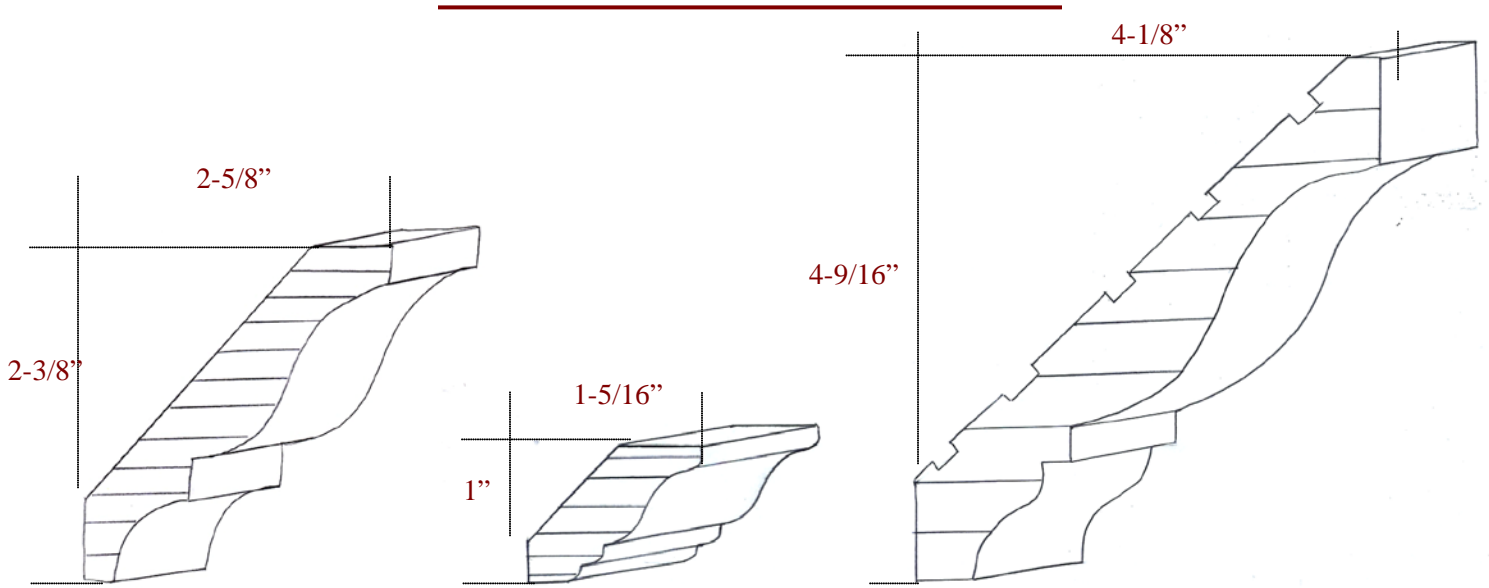
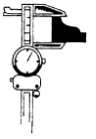


S-336

C-337

C-338

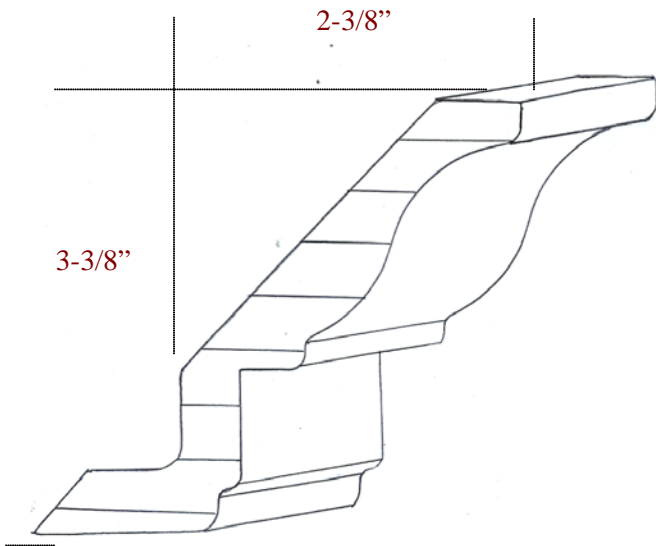
\*\*S-335, See Covers



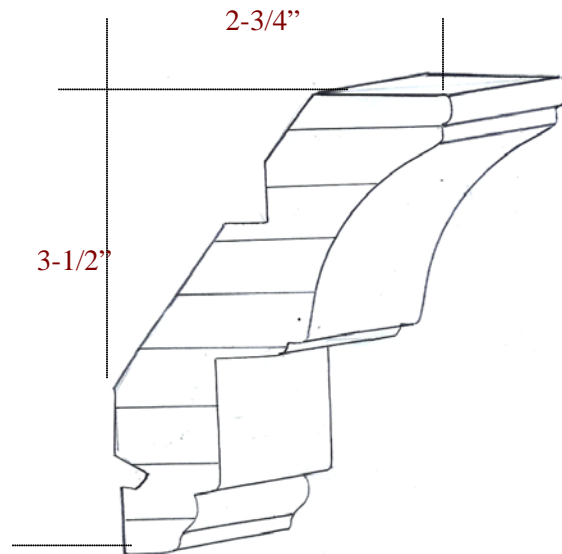
S-339

C-340

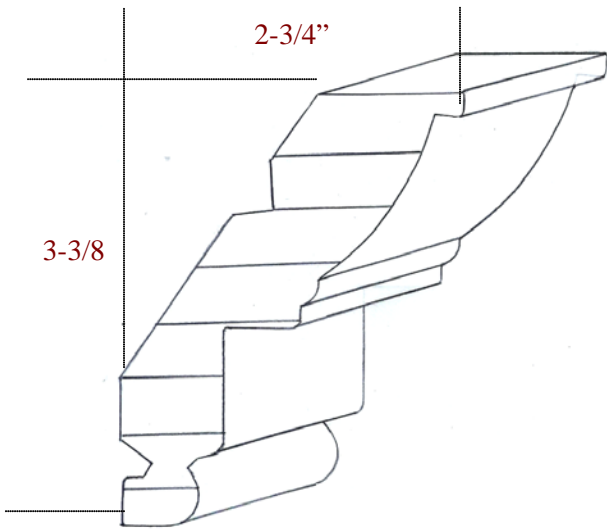
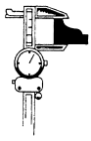
C-341



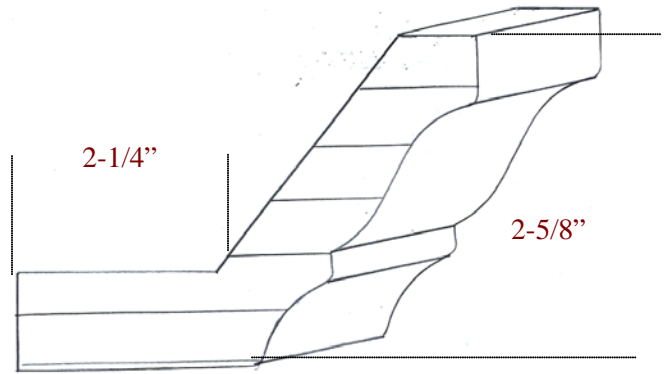
S-342



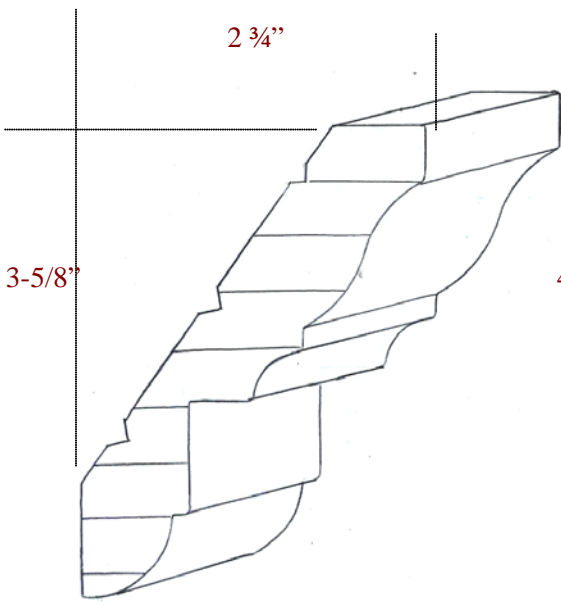
S-343



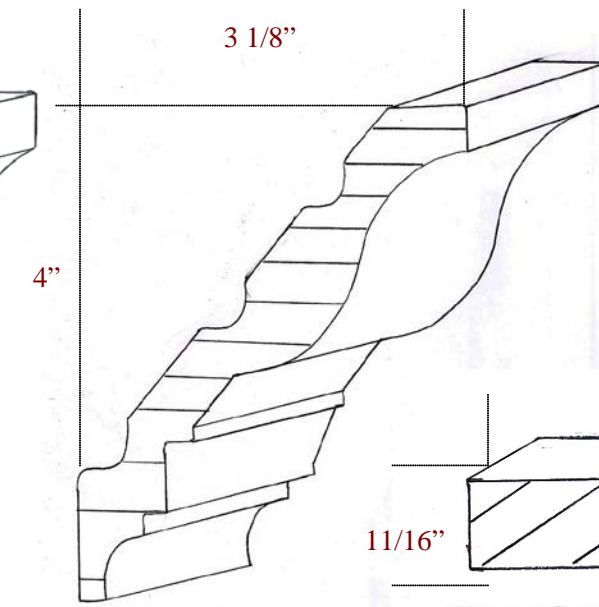
S-344



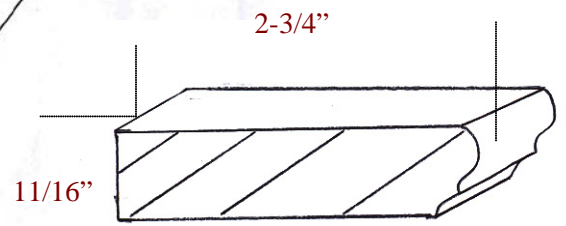
S-347



S-349

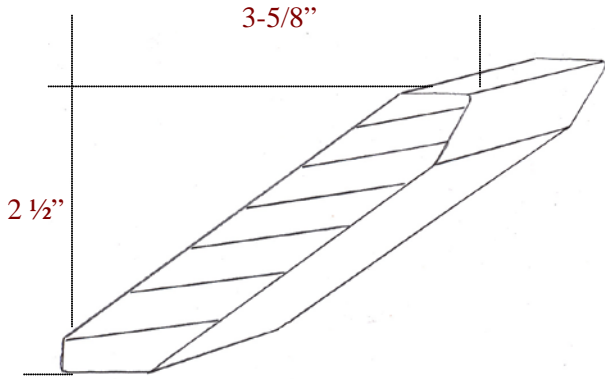


C-350

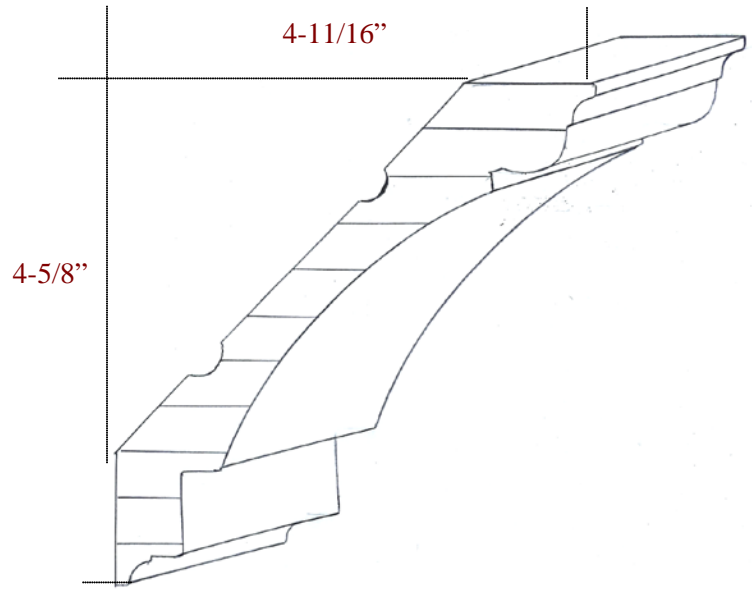


C-351

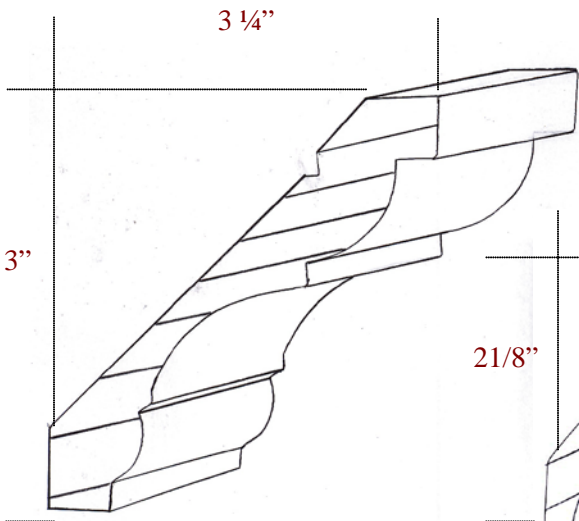
\*\*C-345, S-346, C-348 See Covers



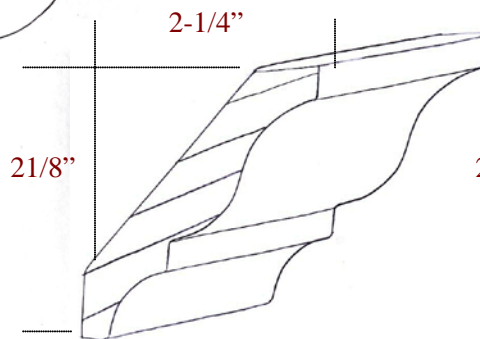
C-352



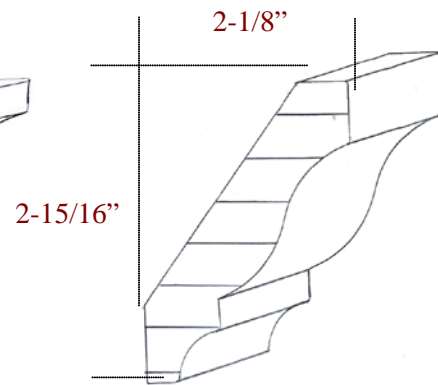
C-354



C-355

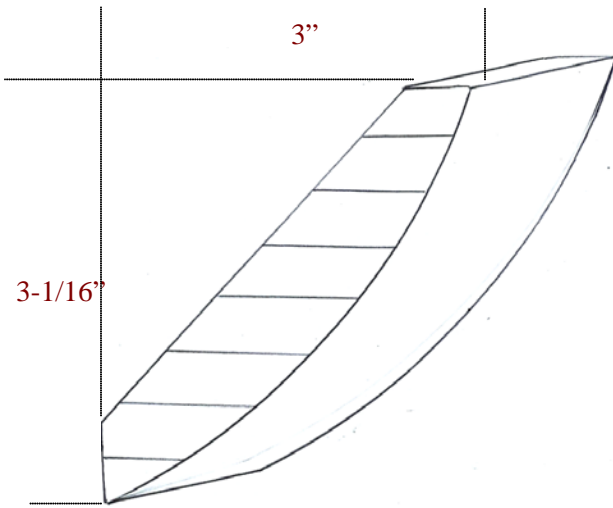


C-356

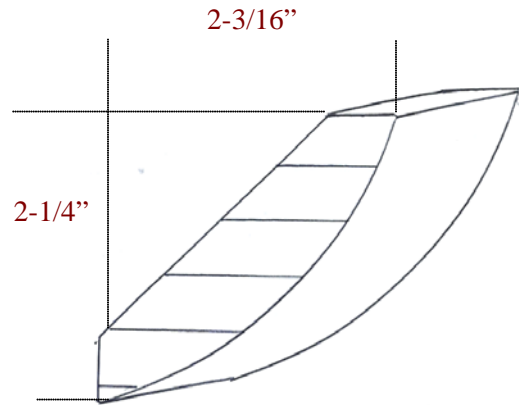


S-359

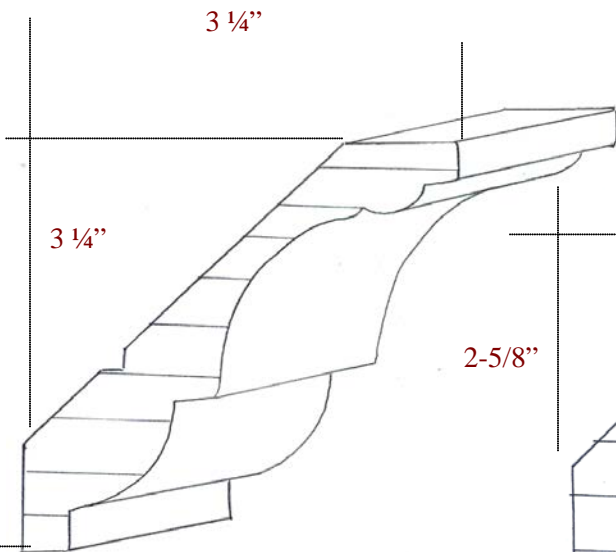




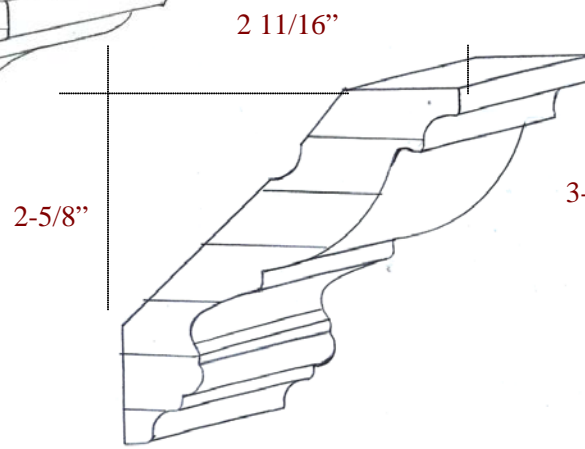
C-361



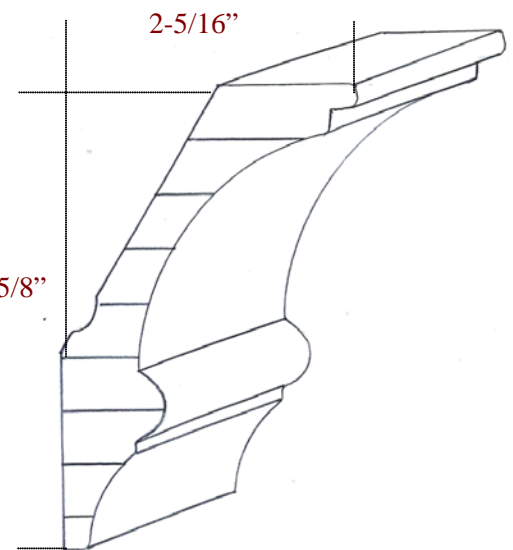
C-362



C-363

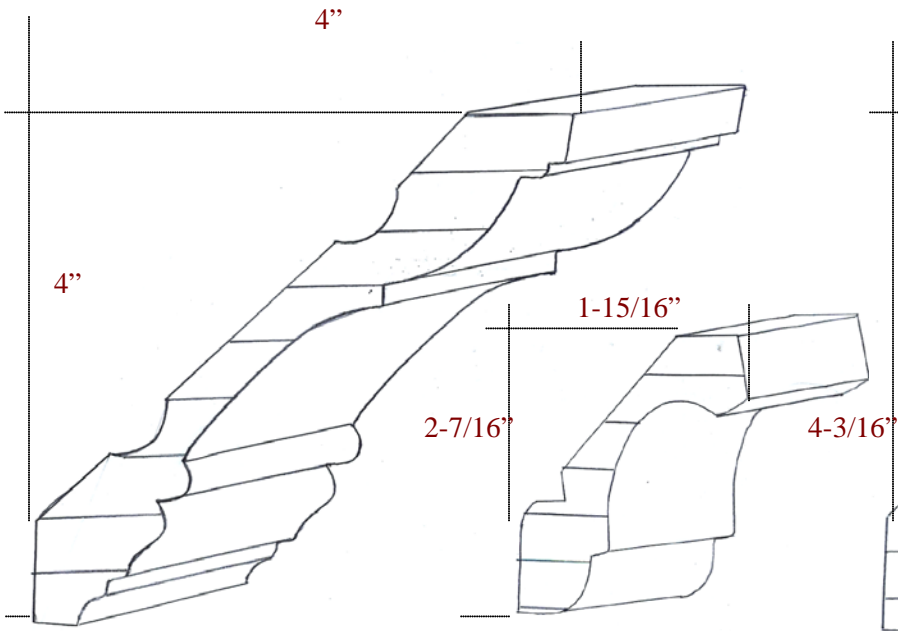


C-365



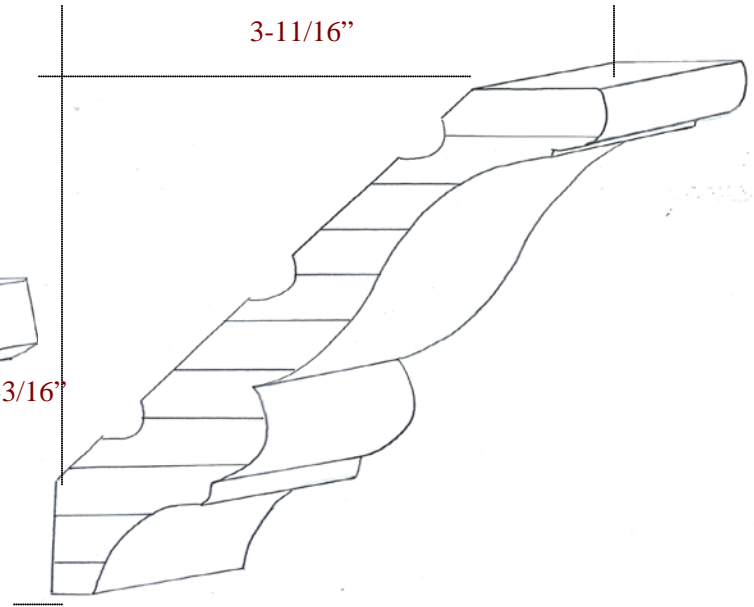
C-366

\*\*C-364, See Covers

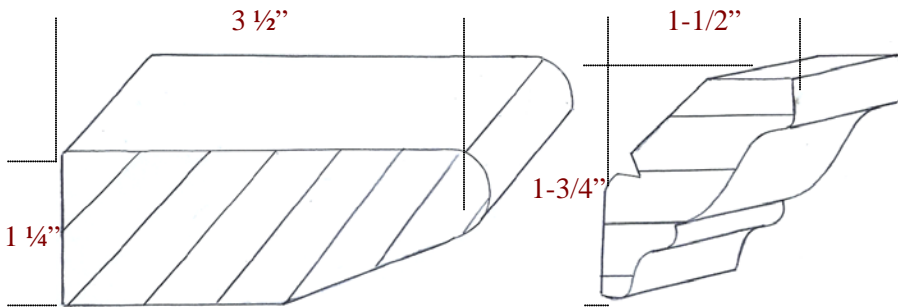


C-367

C-369

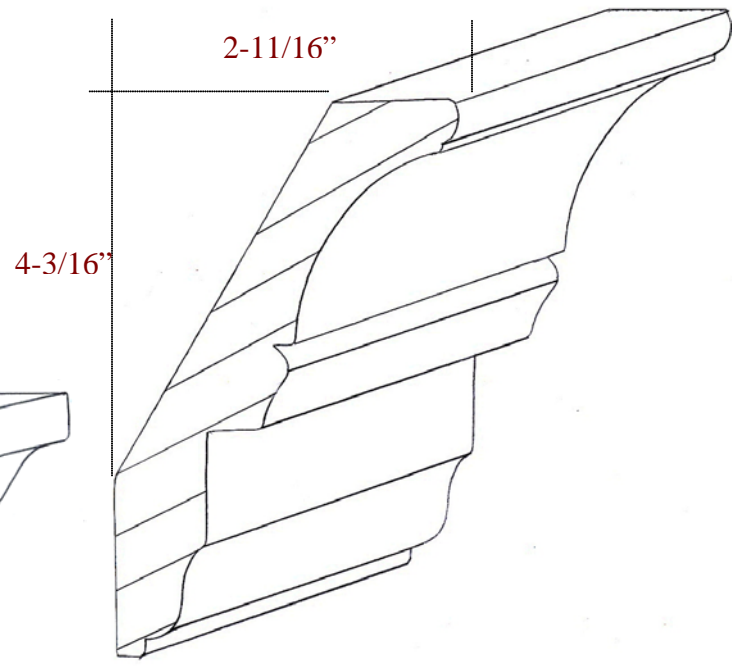


C-370

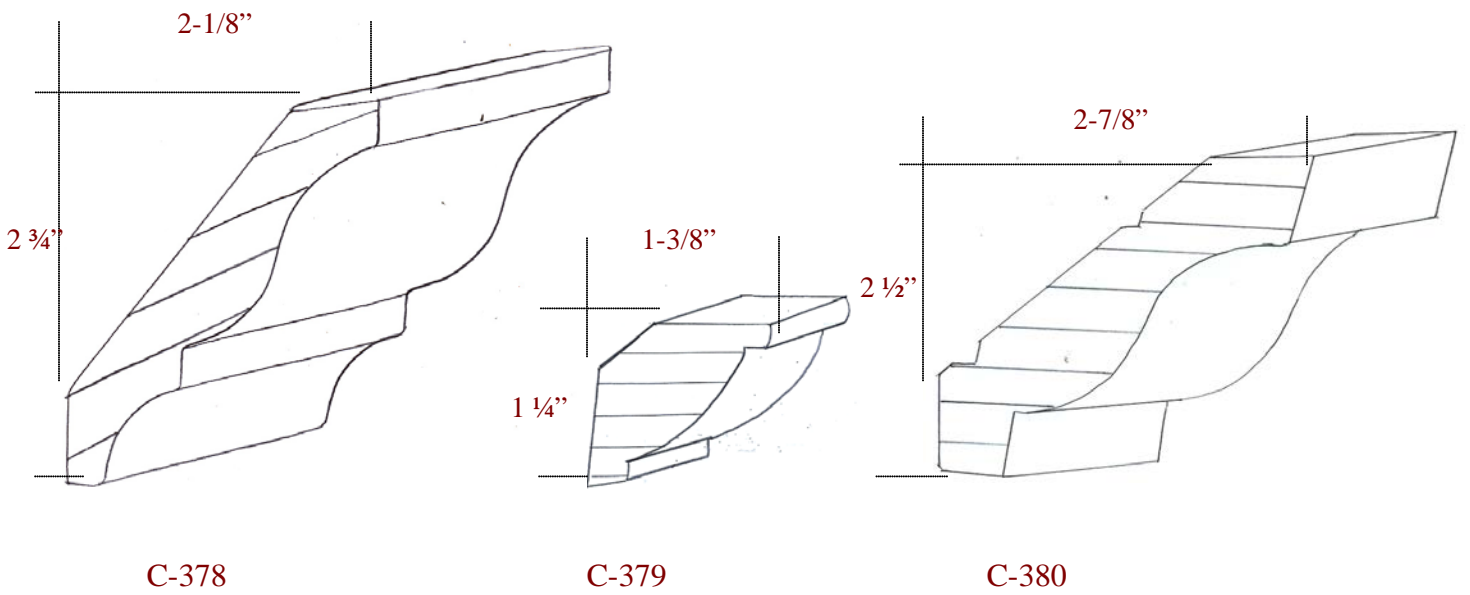
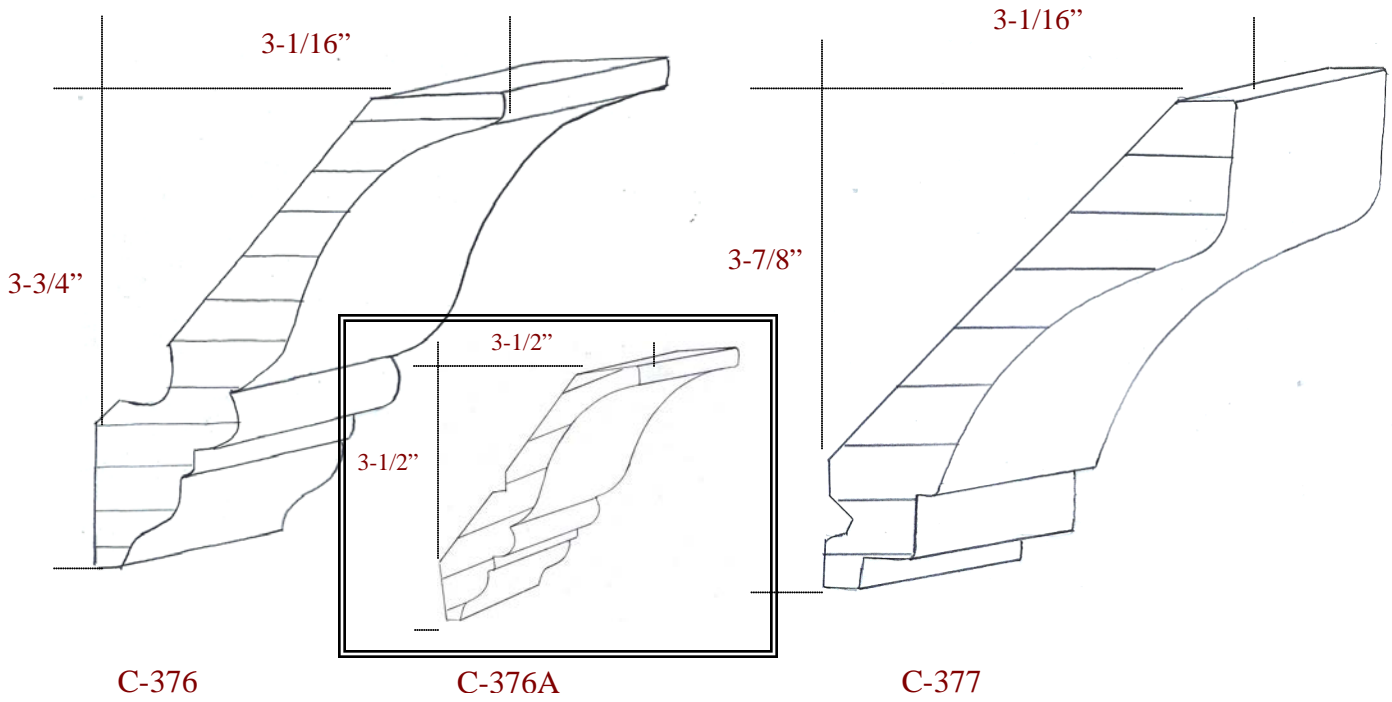
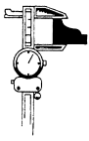


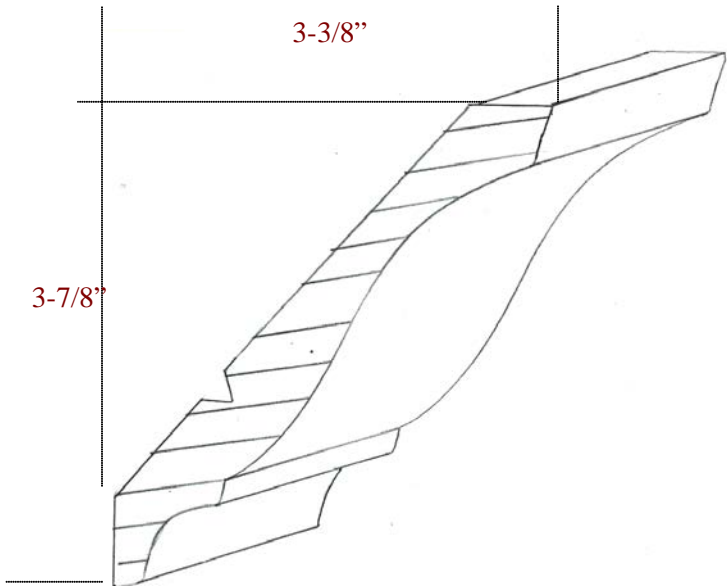
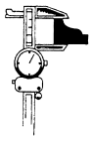
C-372

C-374

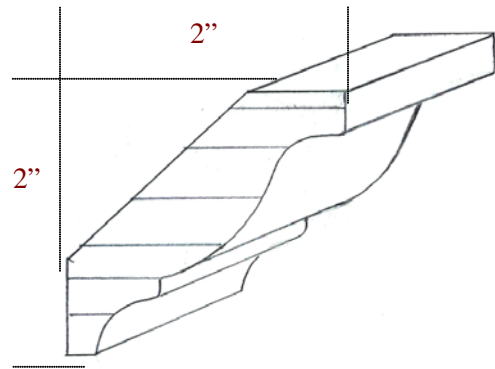


C-375

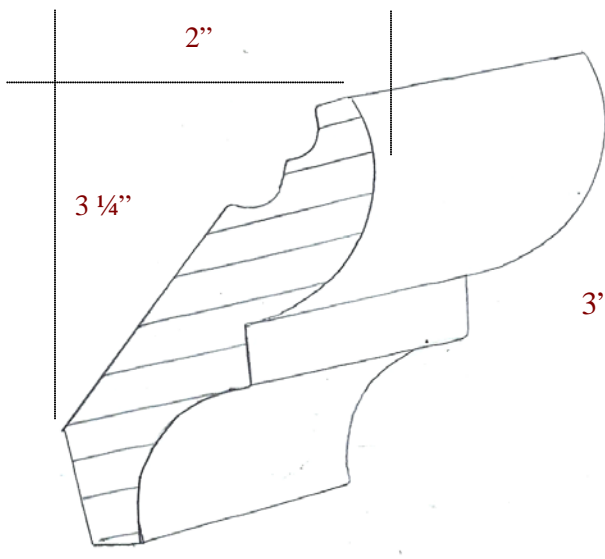




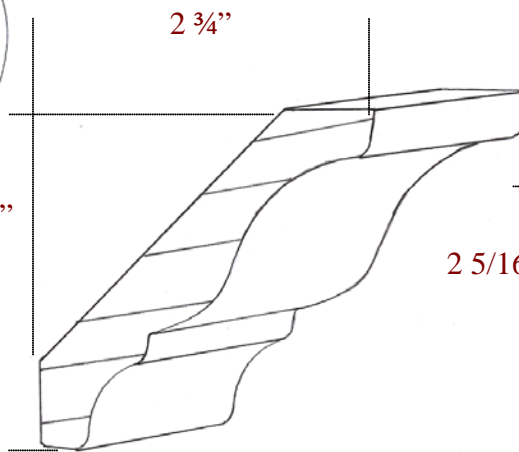
C-381



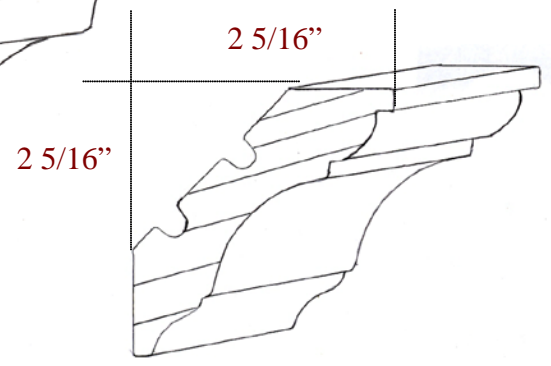
C-382



C-384



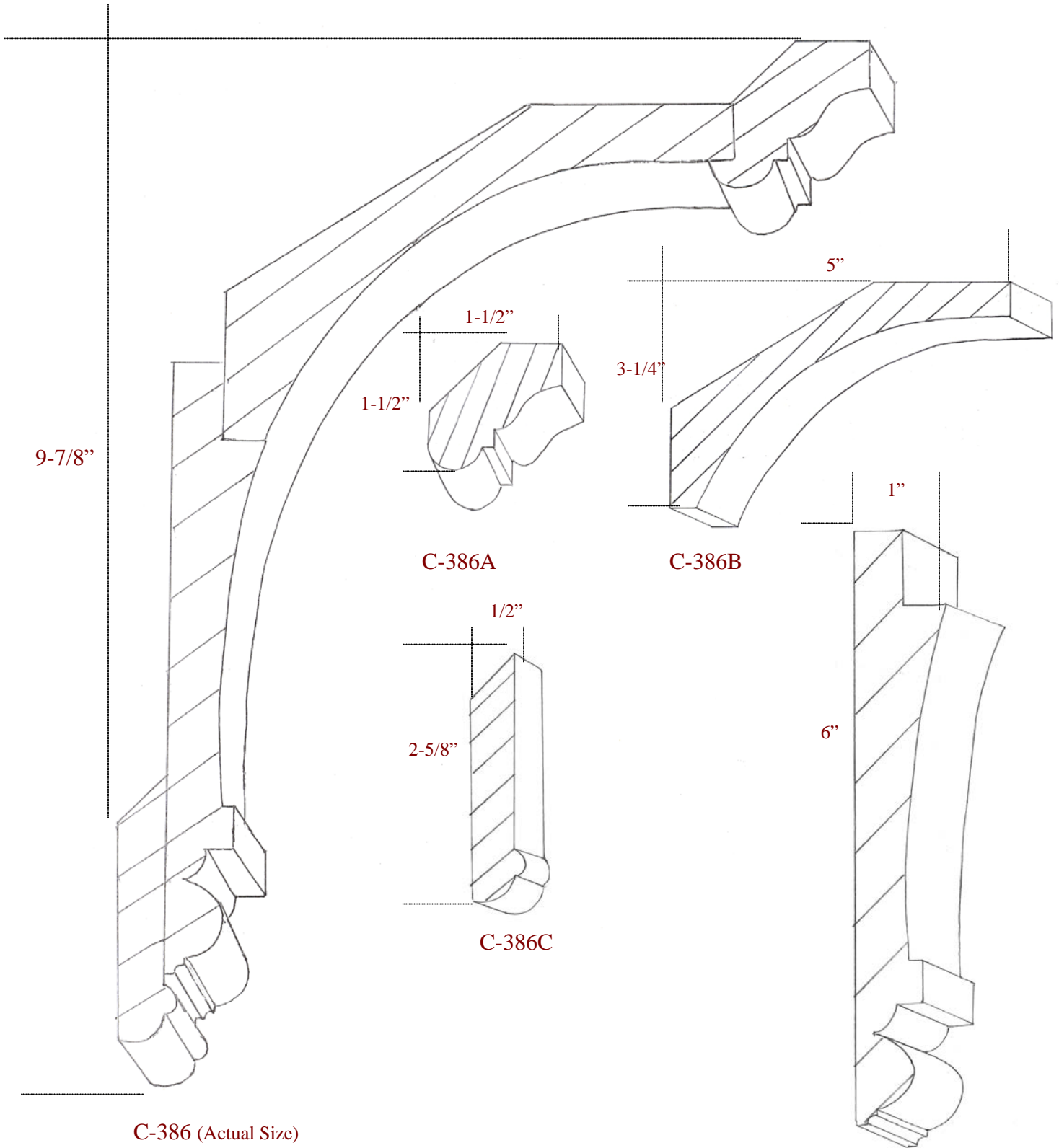
C-388



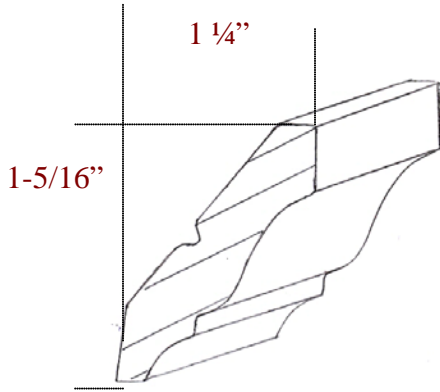
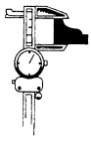
C-390

\*\*C-383, C-385, C-387, C-389, See Covers

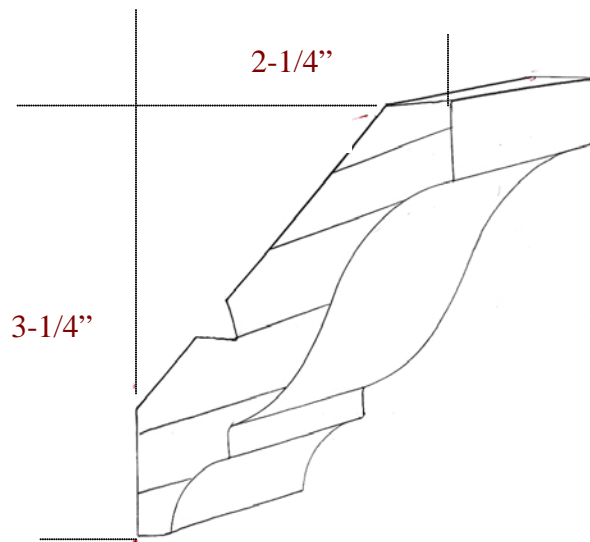
\*\*C-386, See next page



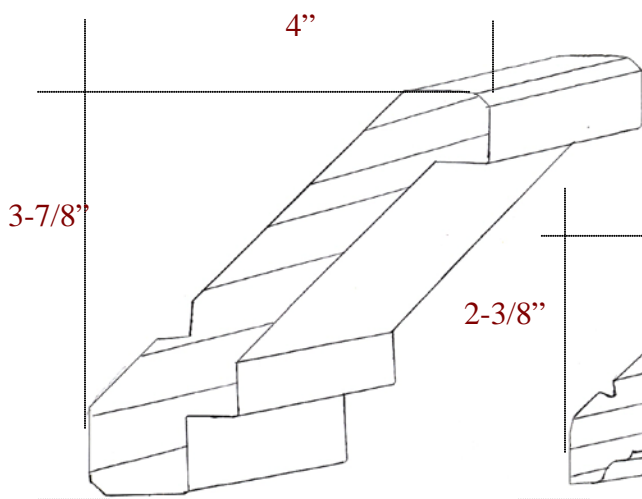
C-386 (Actual Size)  
Victorian Crown Build-up System



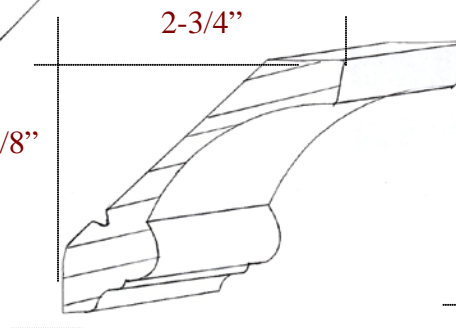
C-391



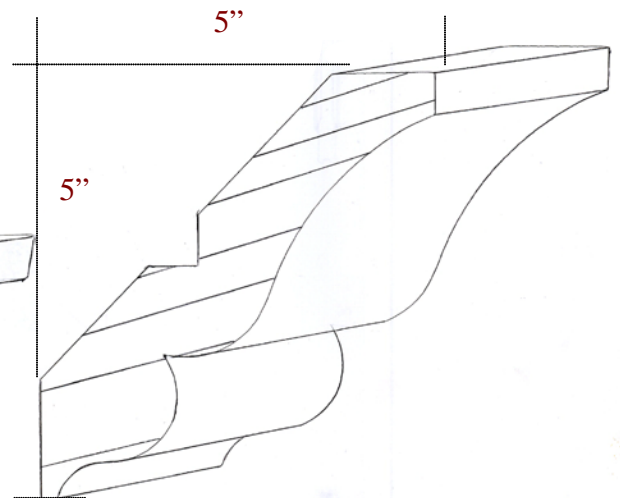
C-392



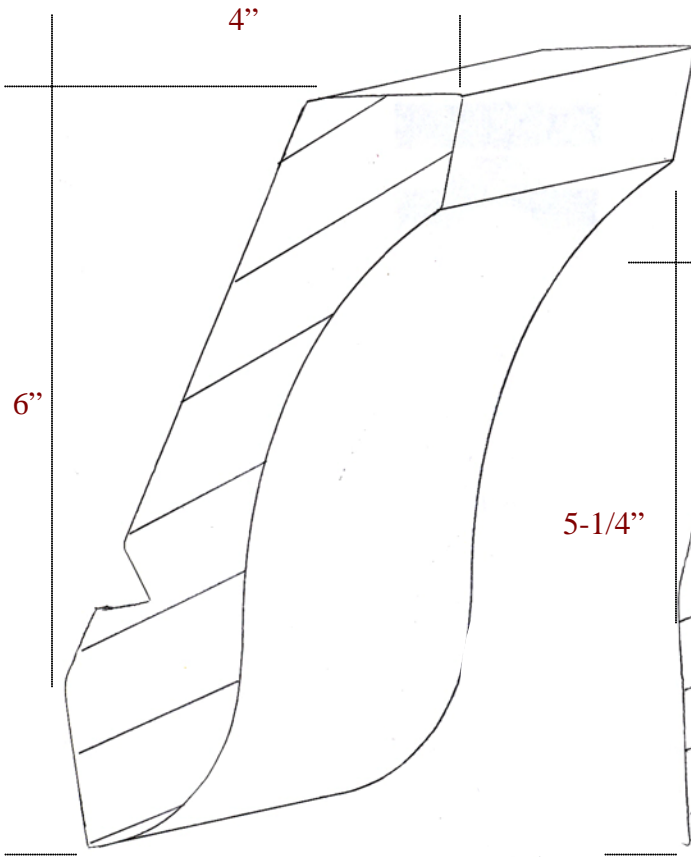
C-393



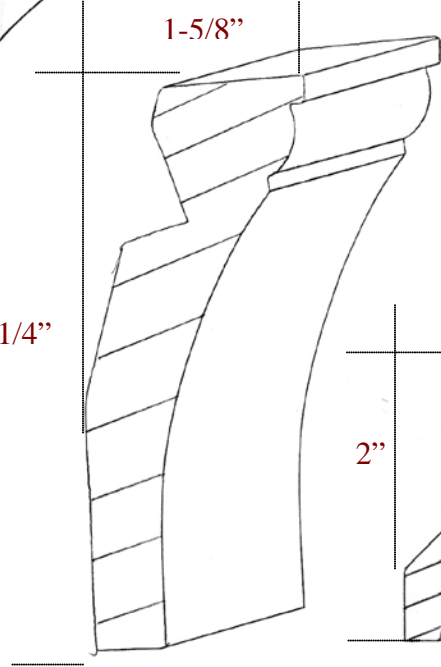
C-394



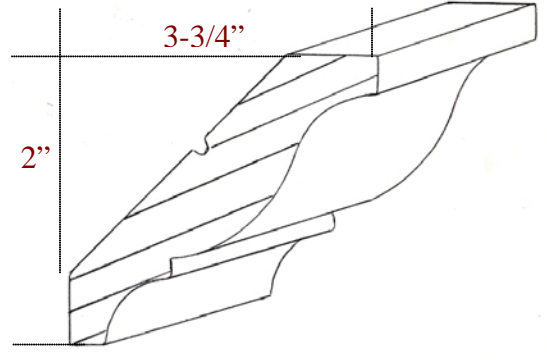
C-395



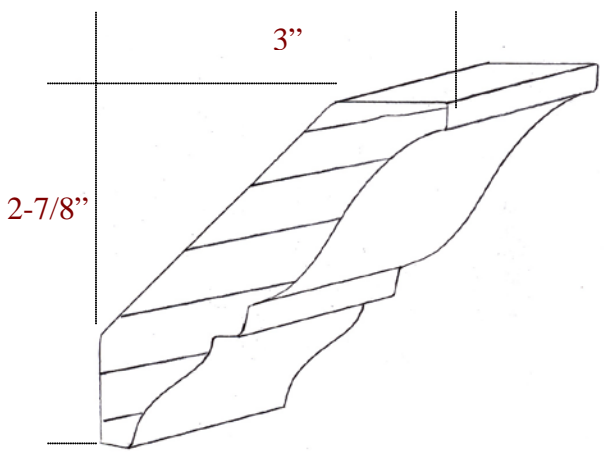
C-396



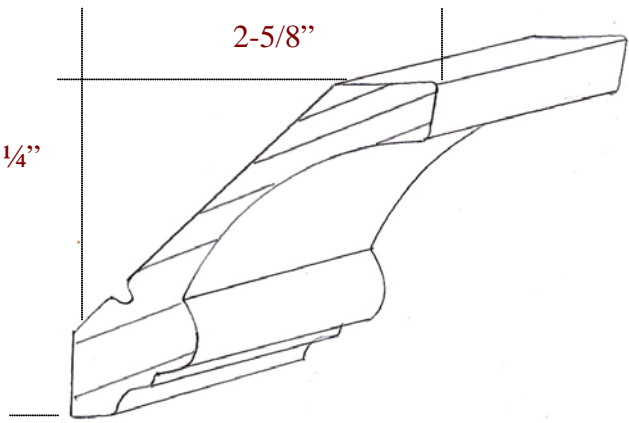
C-397



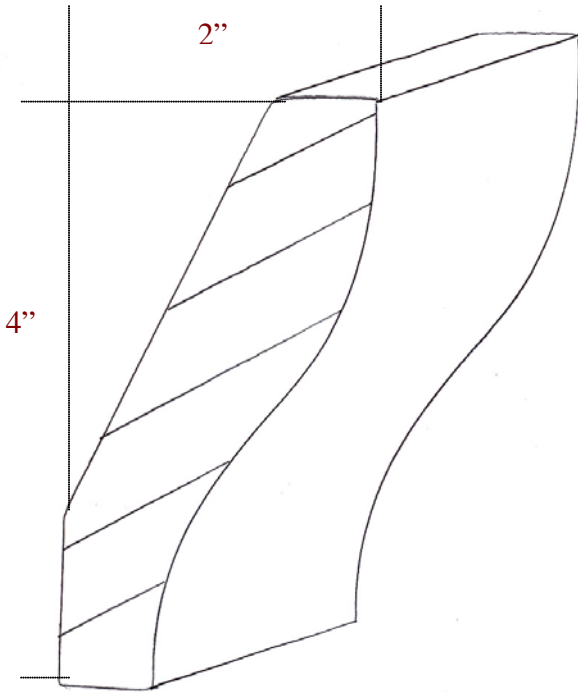
C-398



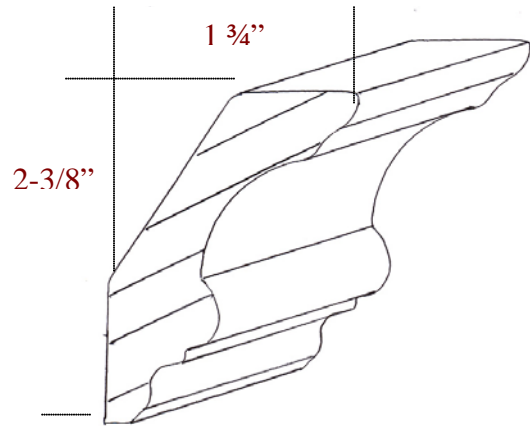
C-399



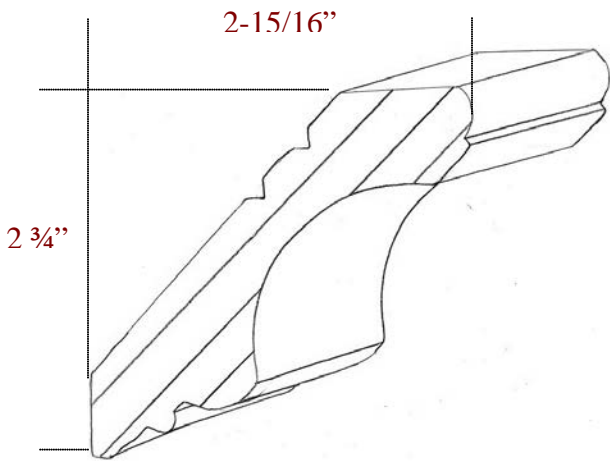
C-3001



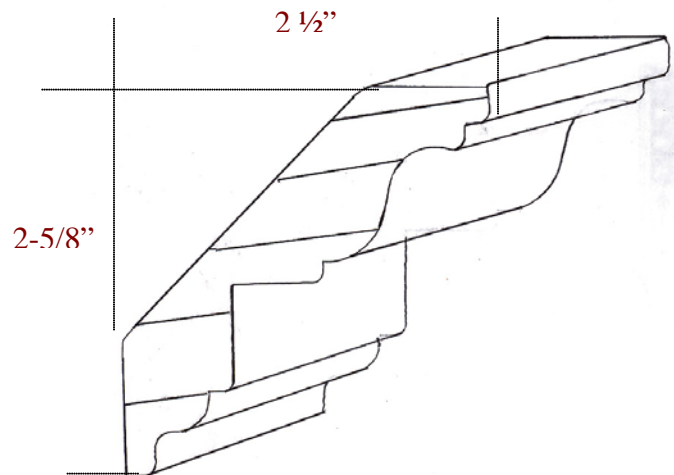
C-3002



C-3003

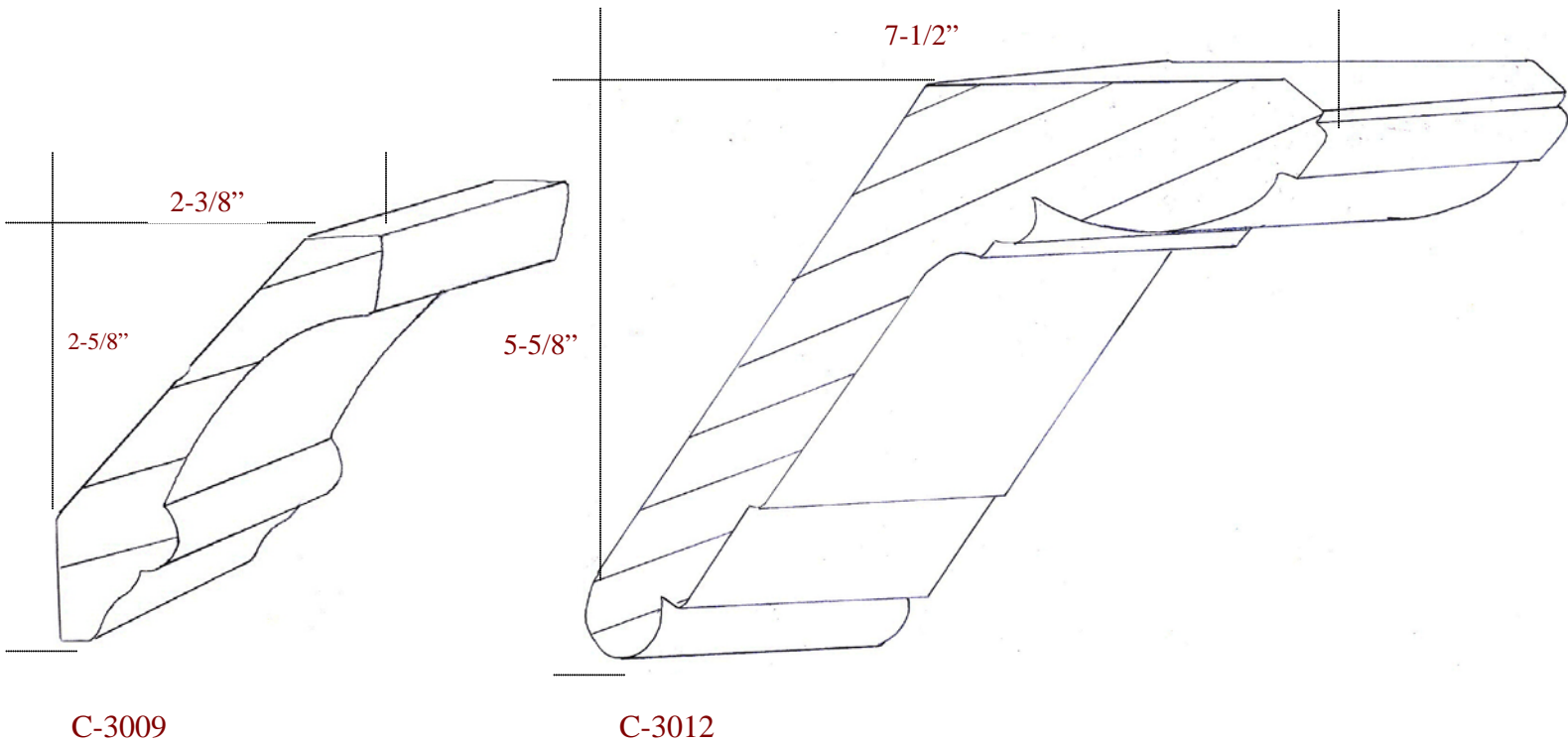
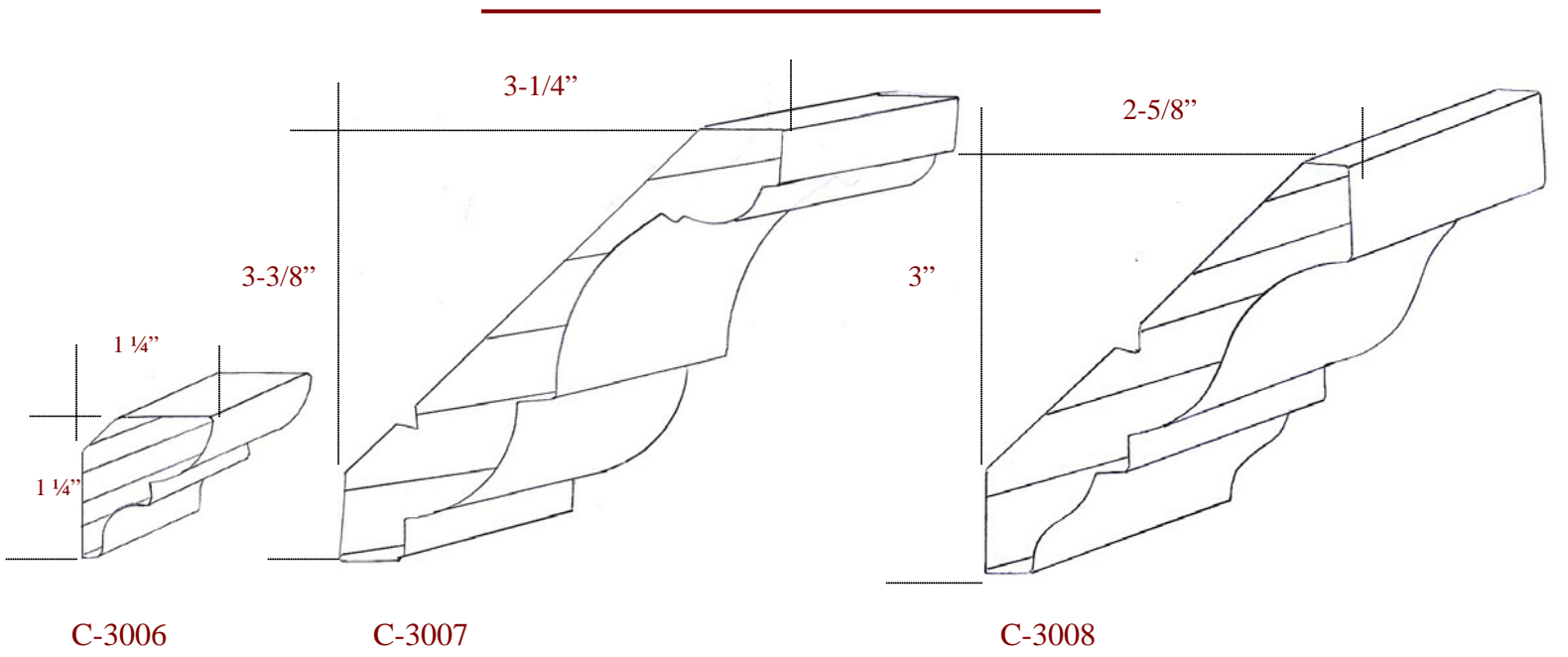
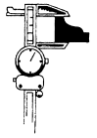


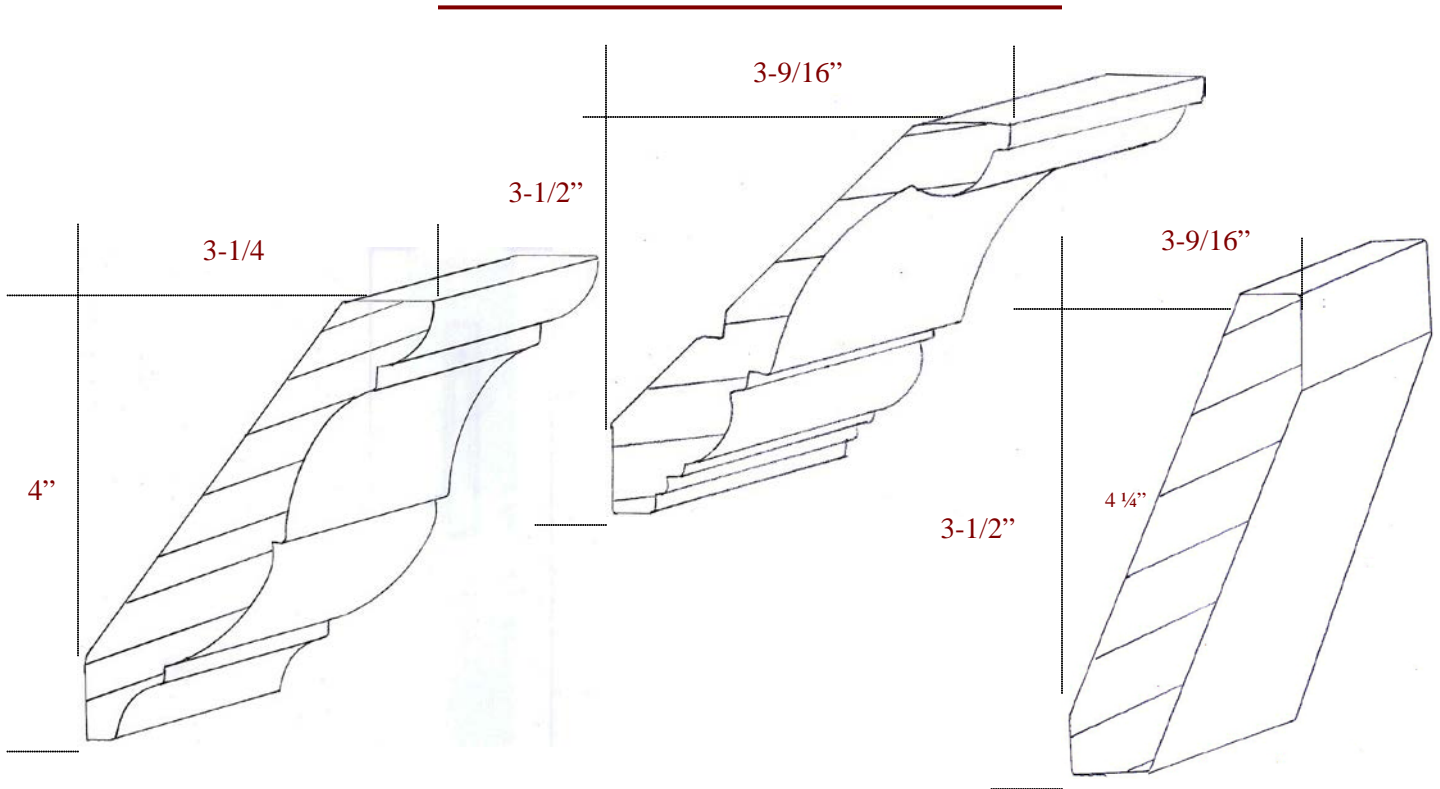
C-3004



C-3005



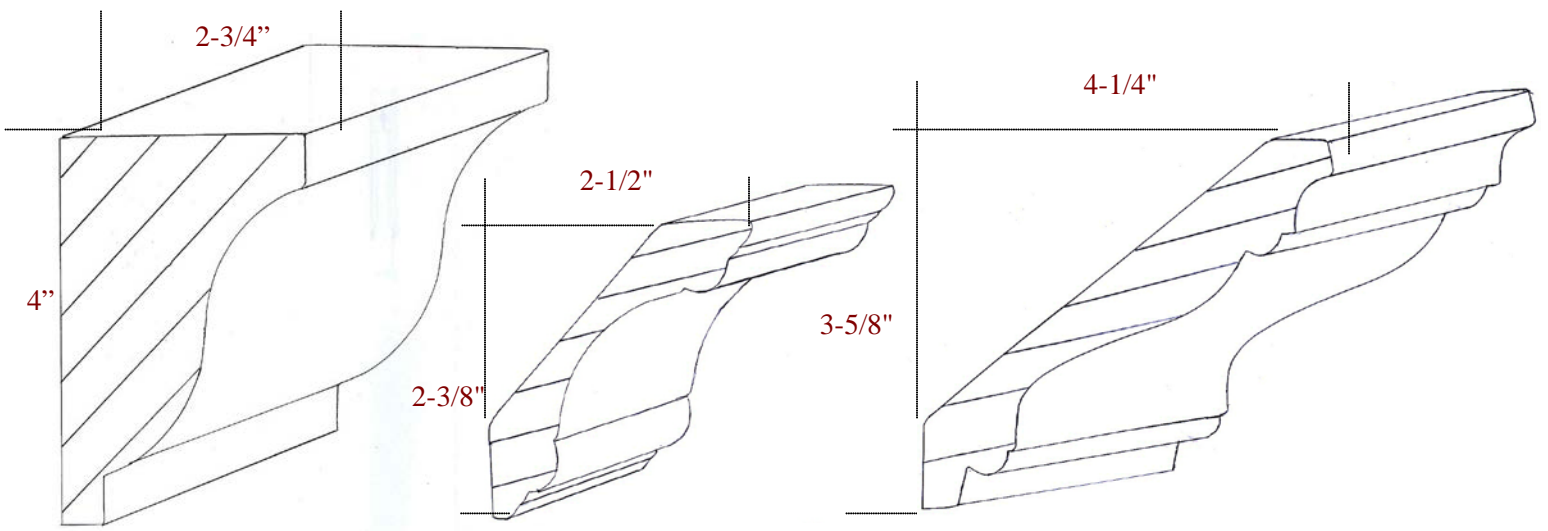




C-3013

S-3015

C-3014



C-3016

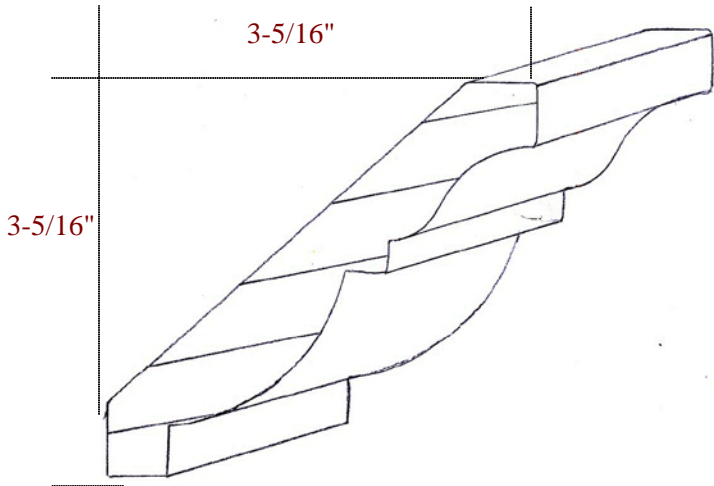
C-3018

C-3019

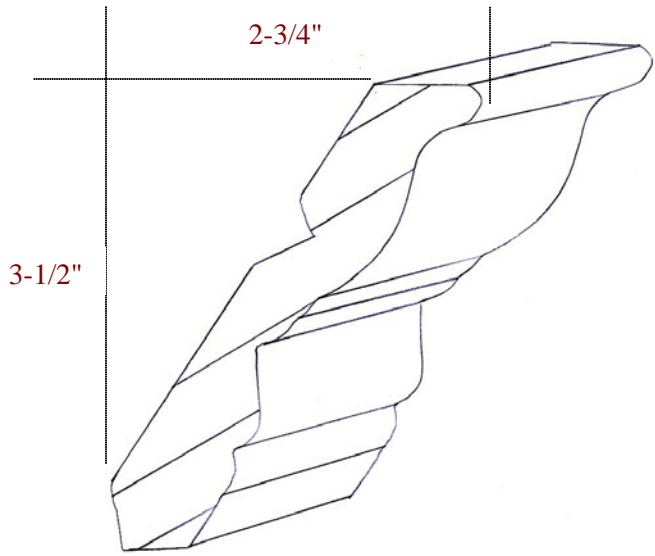
\*\*C-3017, See Covers



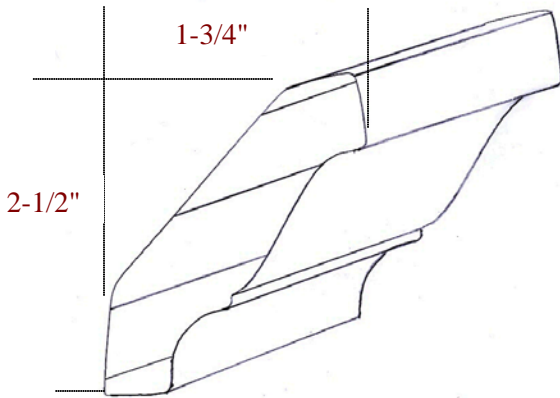
3-19



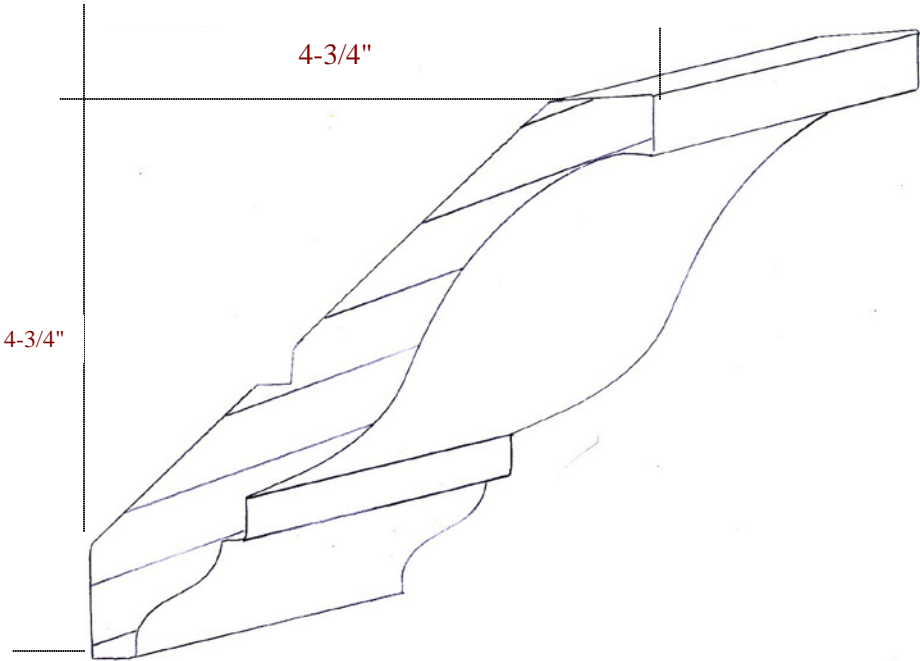
C-3020



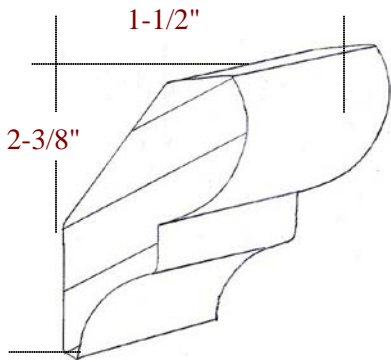
S-3022



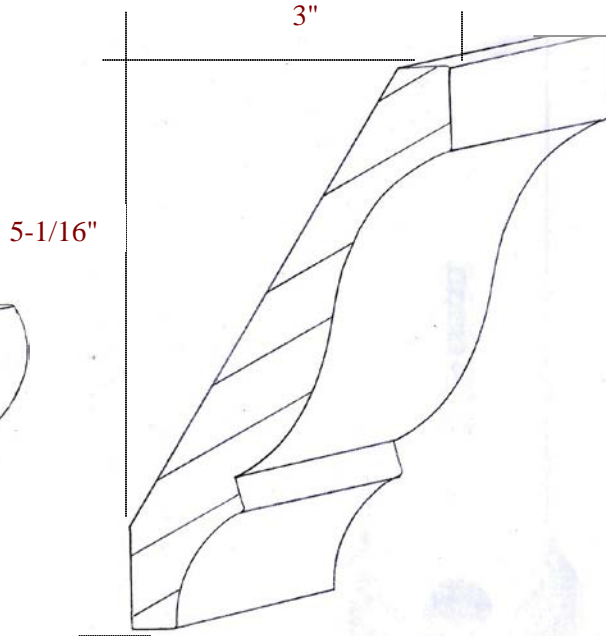
S-3023



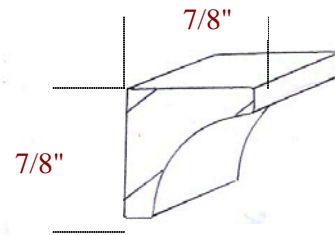
C-3024



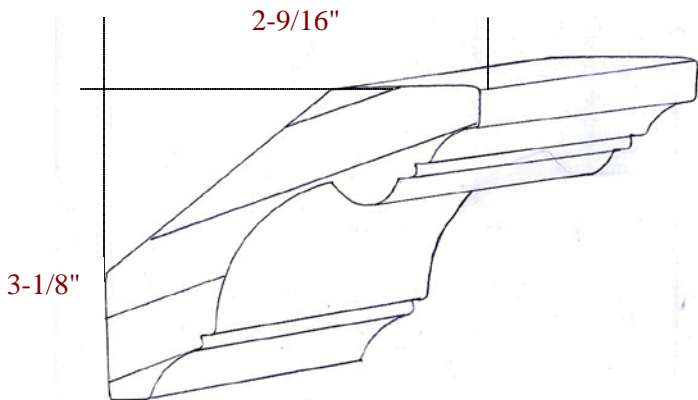
C-3025



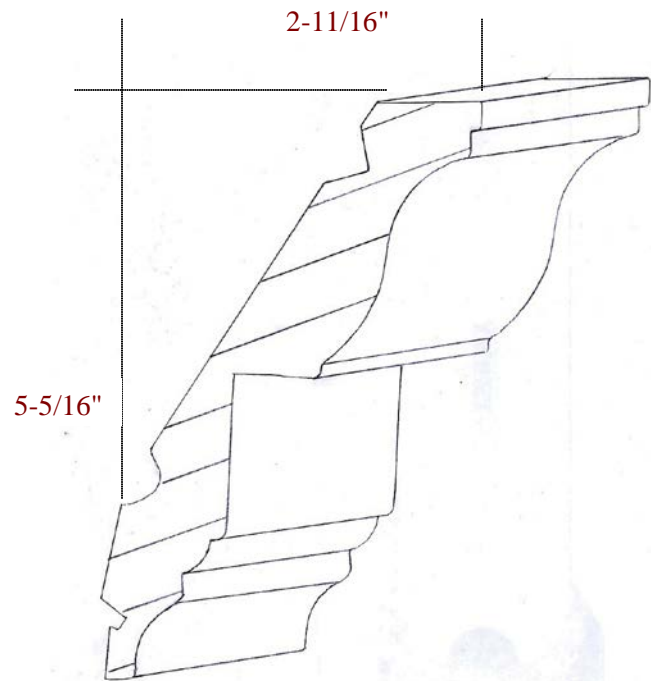
C-3027



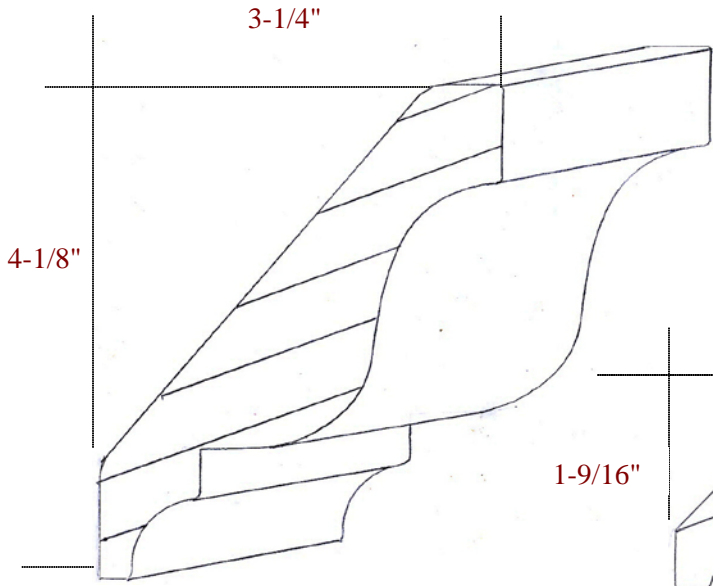
S-3029



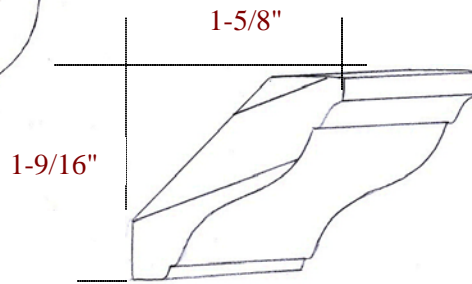
C-3031



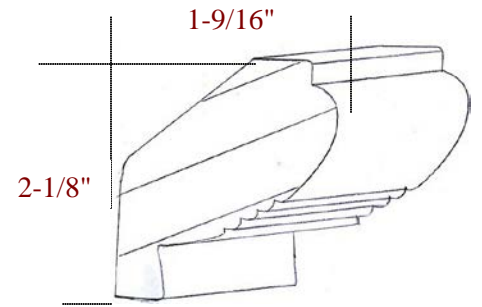
C-3032



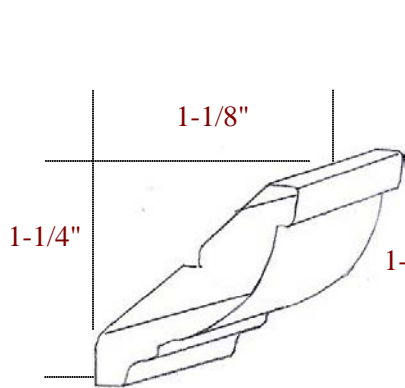
C-3033



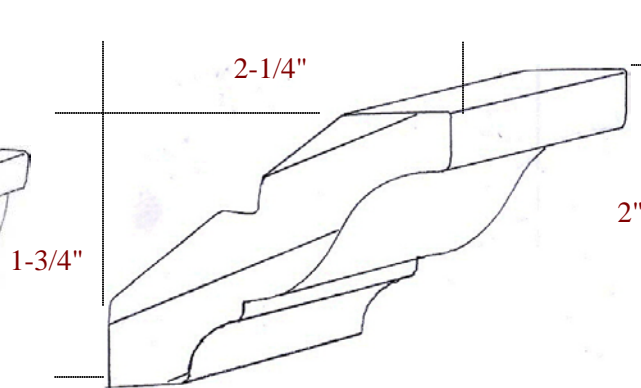
C-3034



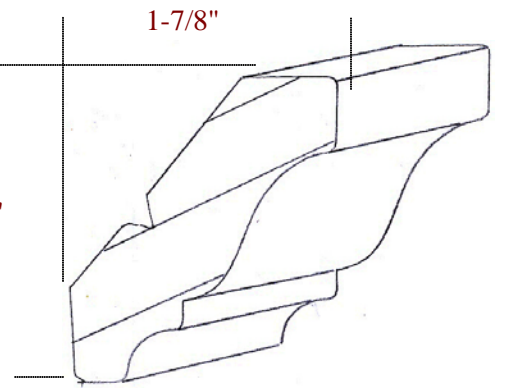
C-3035



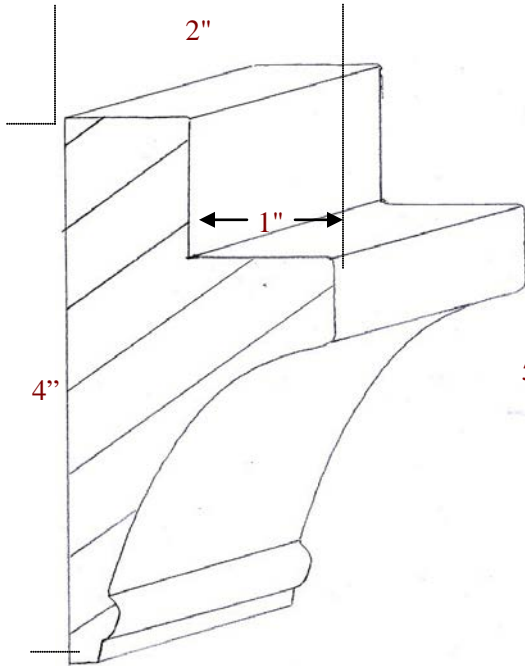
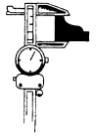
C-3039



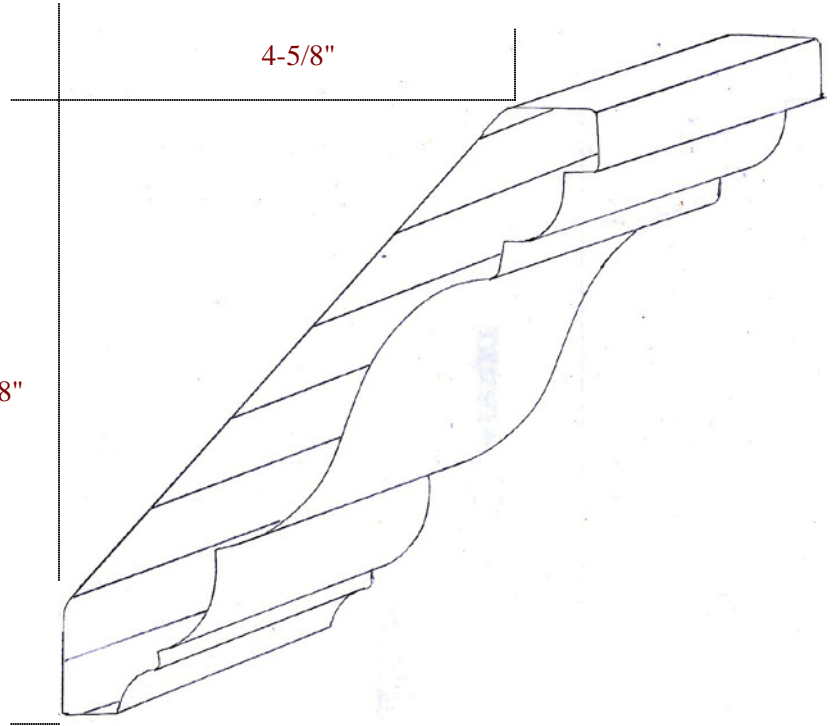
C-3040



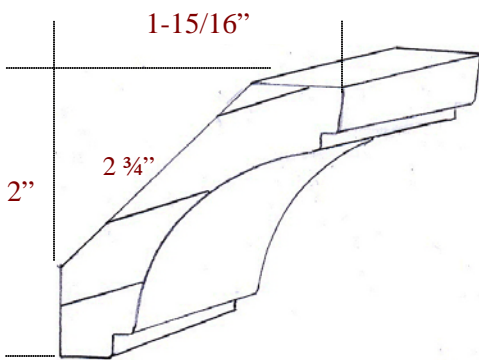
C-3042



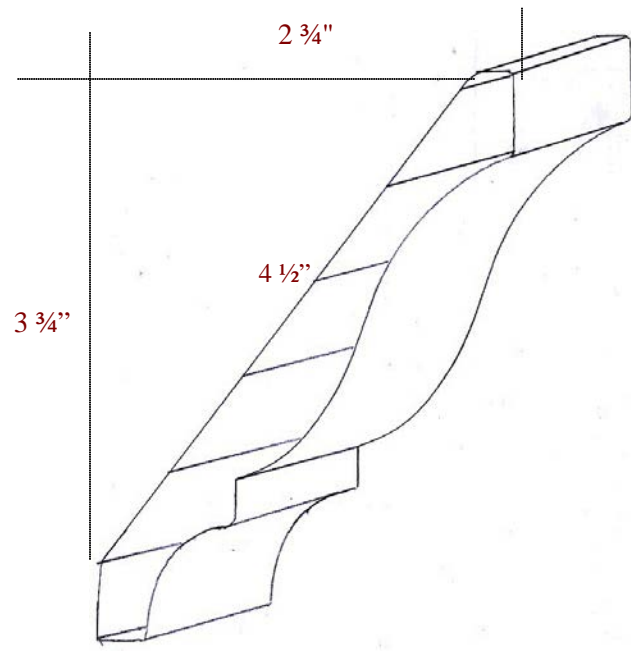
C-3043



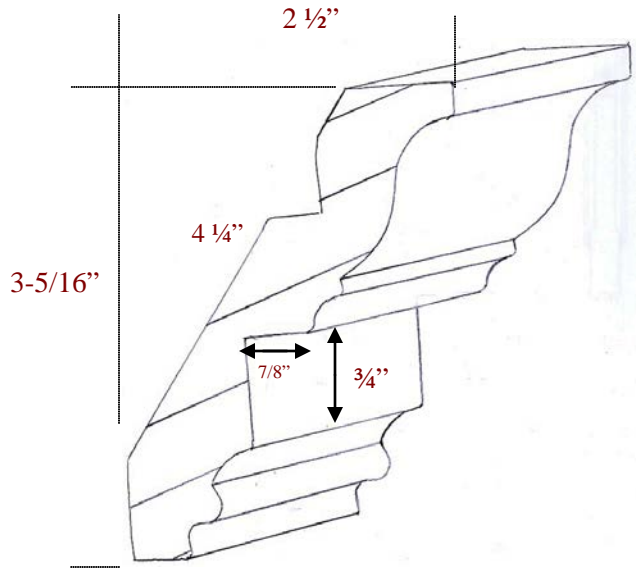
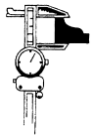
C-3044



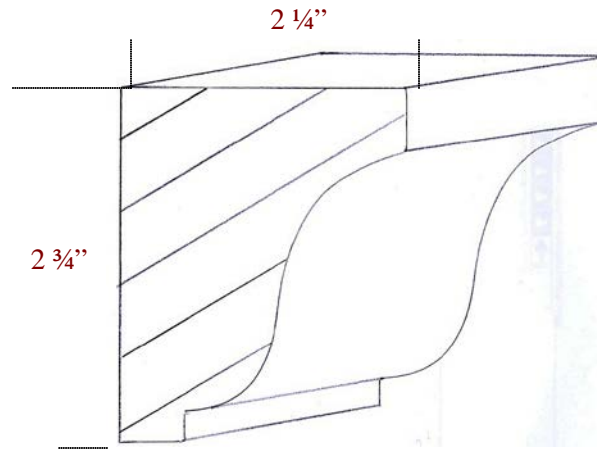
C-3045



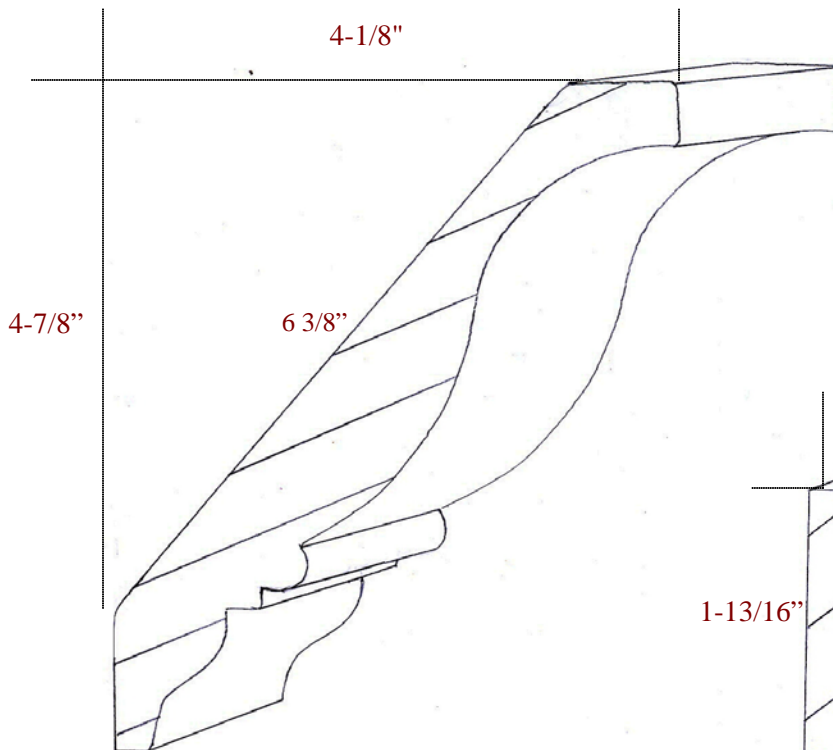
C-3046



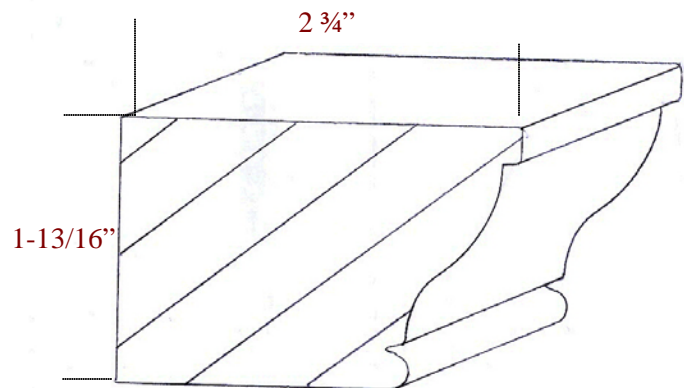
C-3047



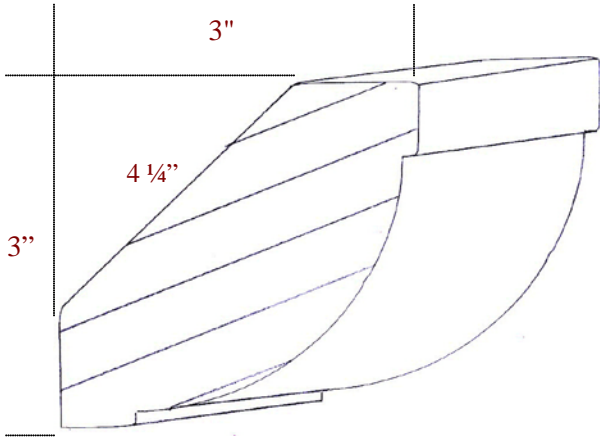
C-3048



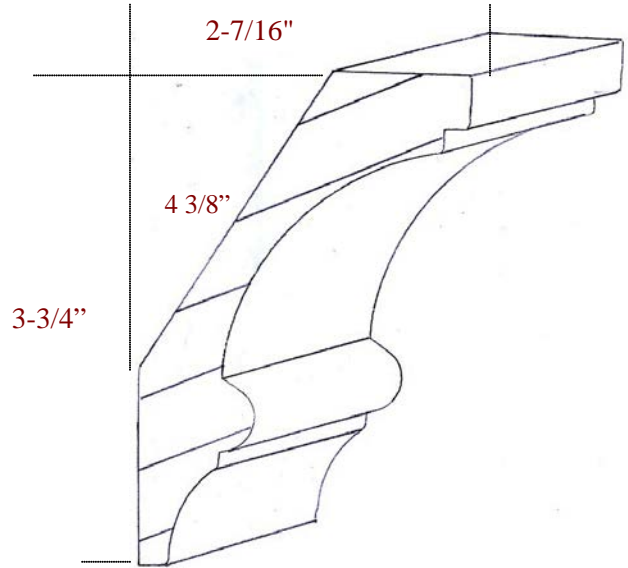
C-3049



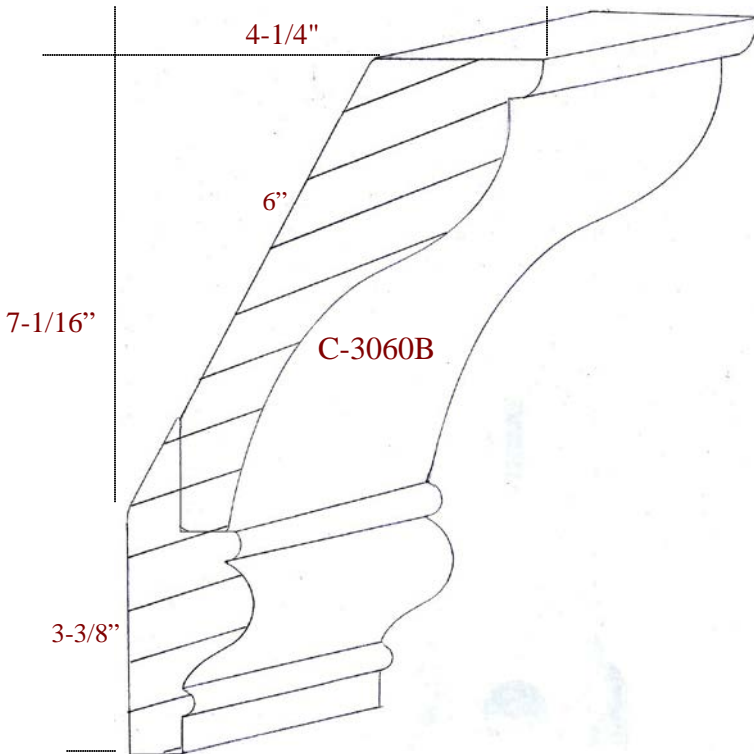
C-3050



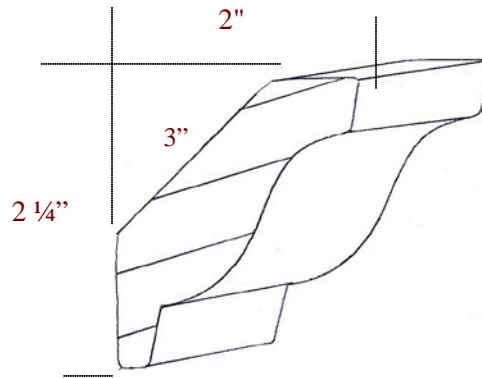
C-3053



C-3058

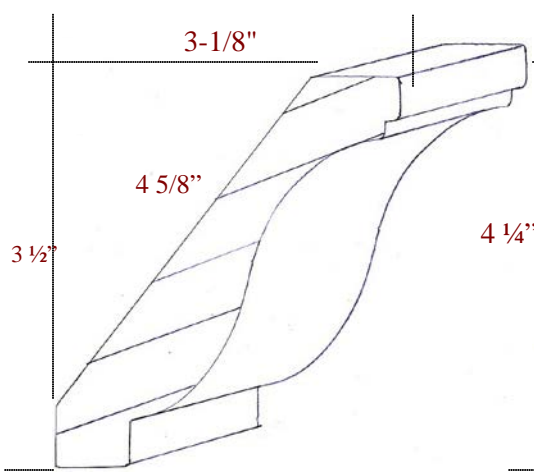


C-3060A

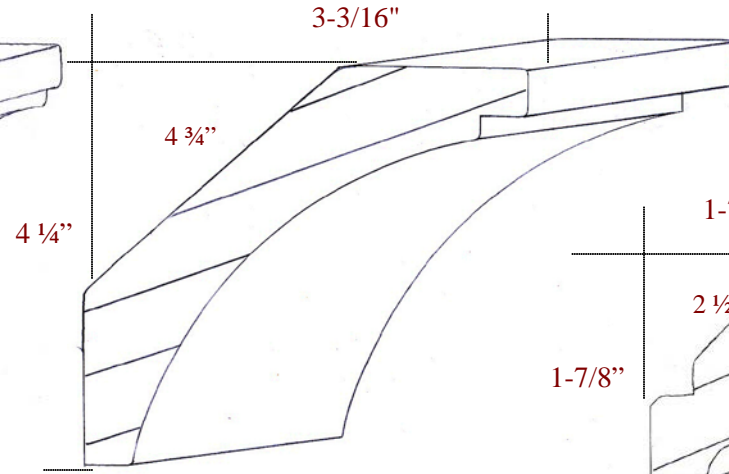


C-3061

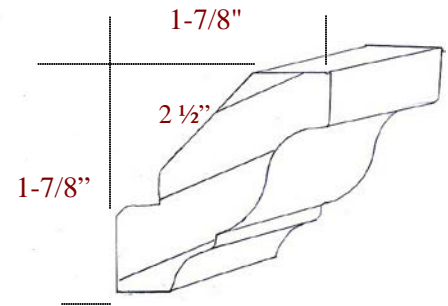




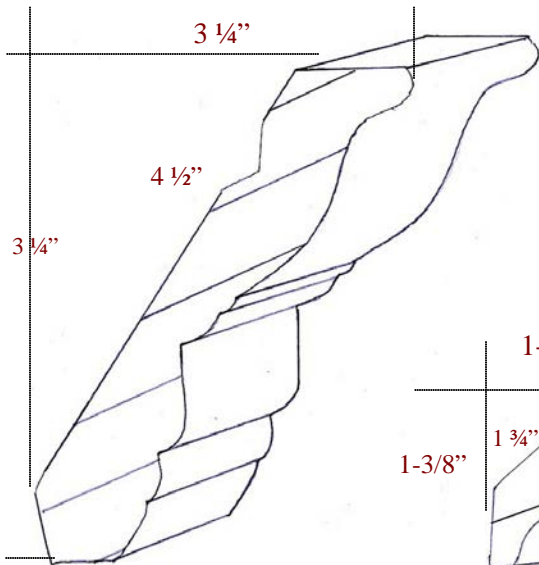
C-3062



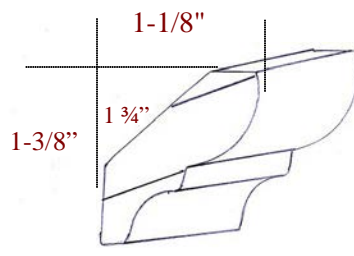
C-3063



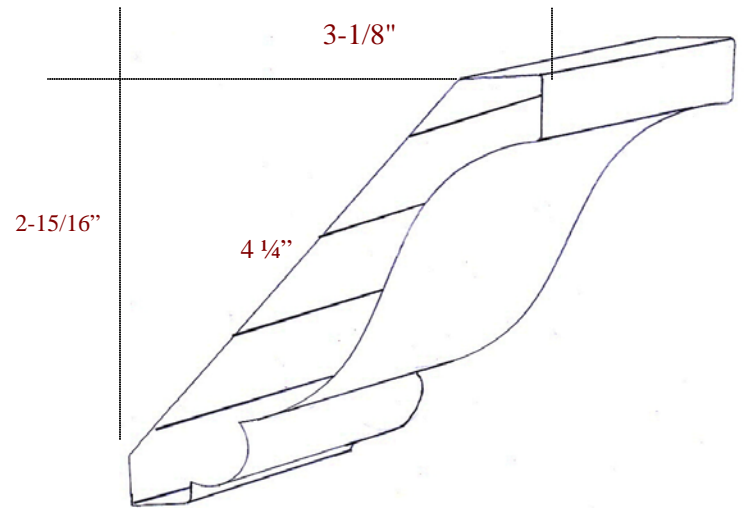
C-3064



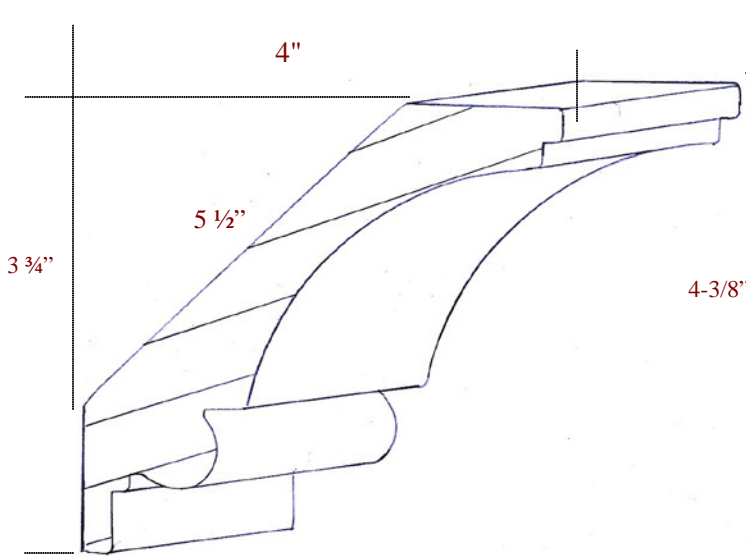
C-3065



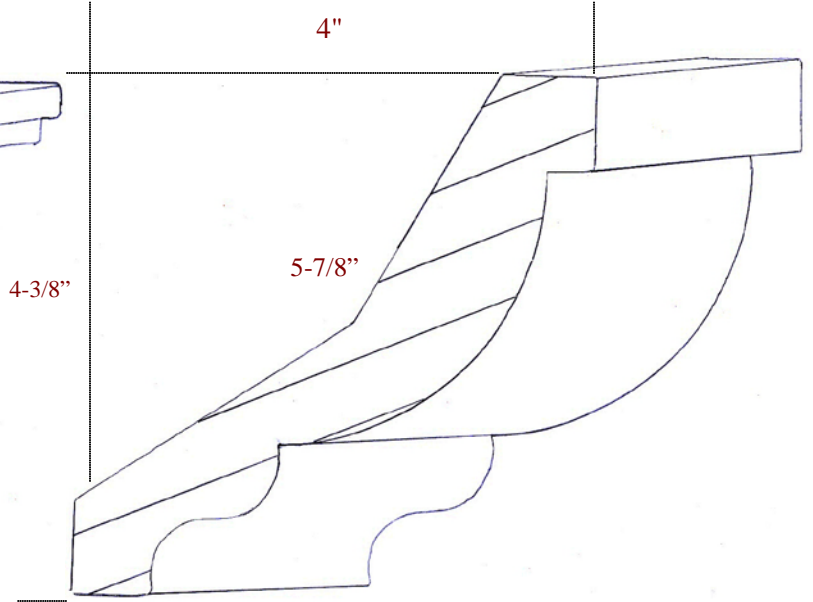
C-3066



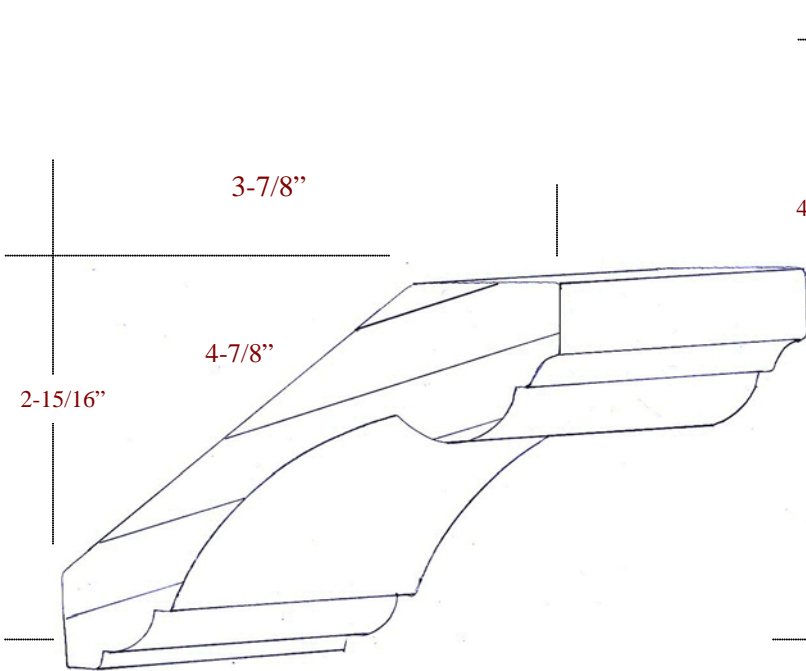
C-3067



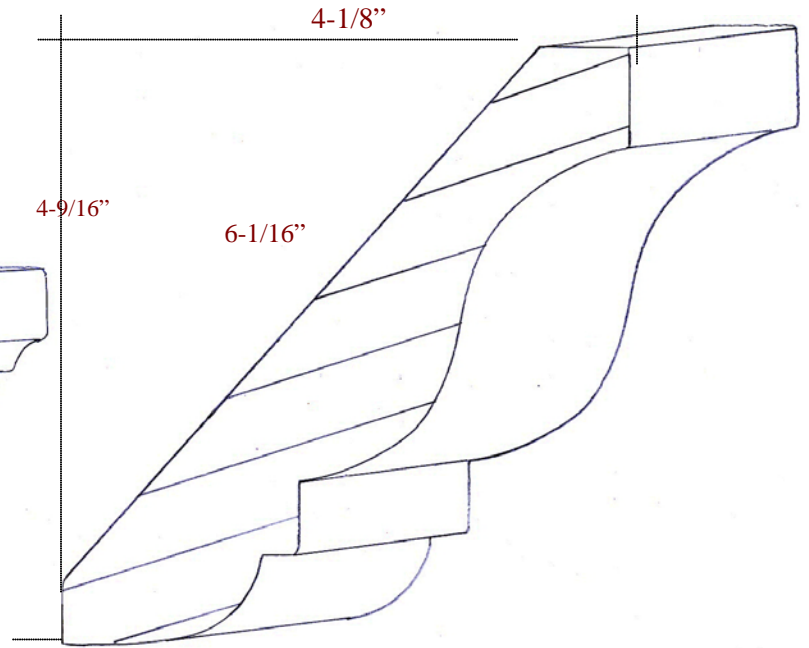
C-3068



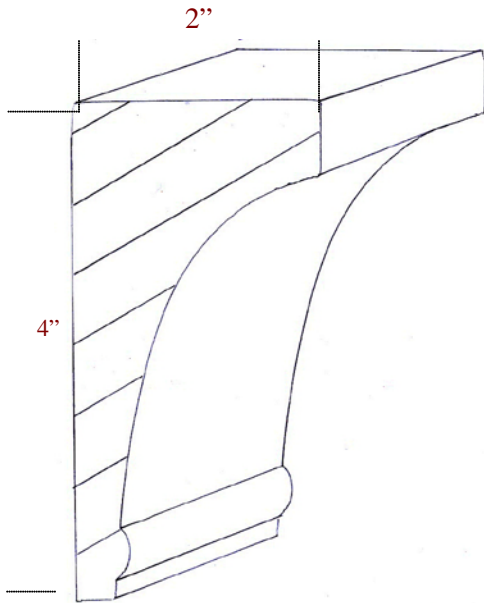
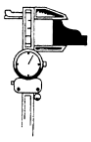
C-3069



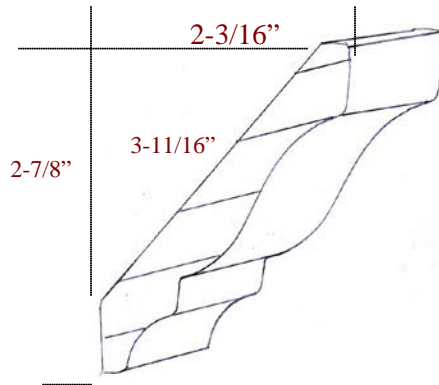
C-3073



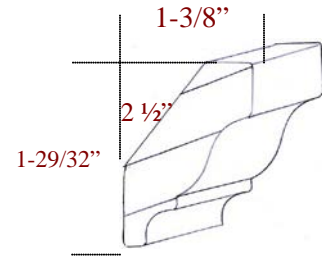
C-3074



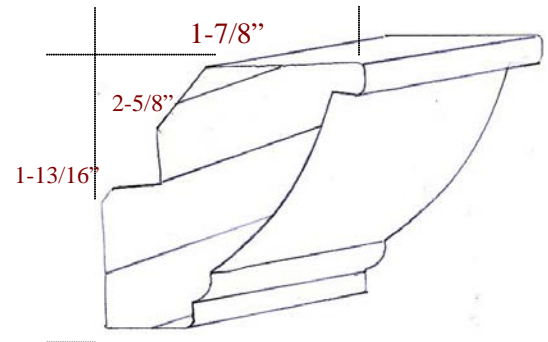
C-3075



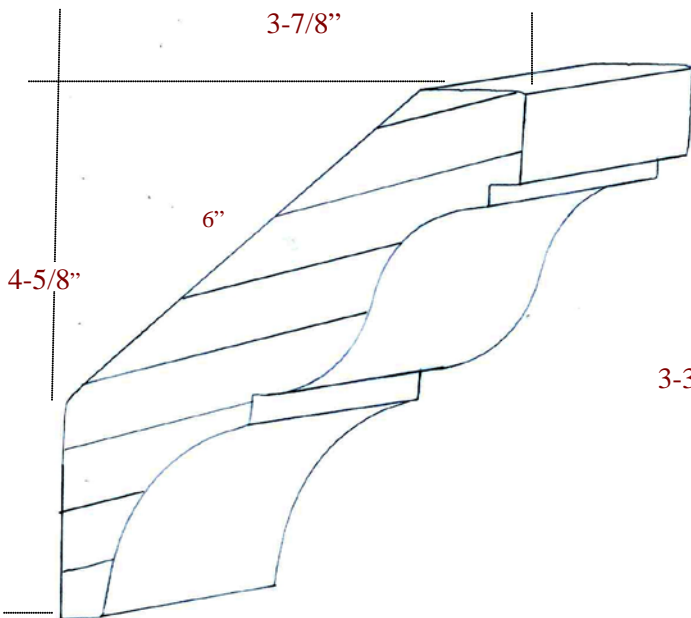
C-3076



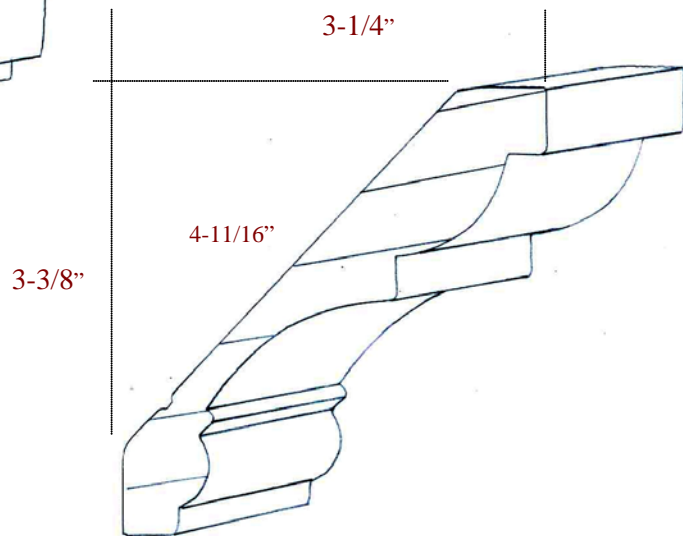
C-3077



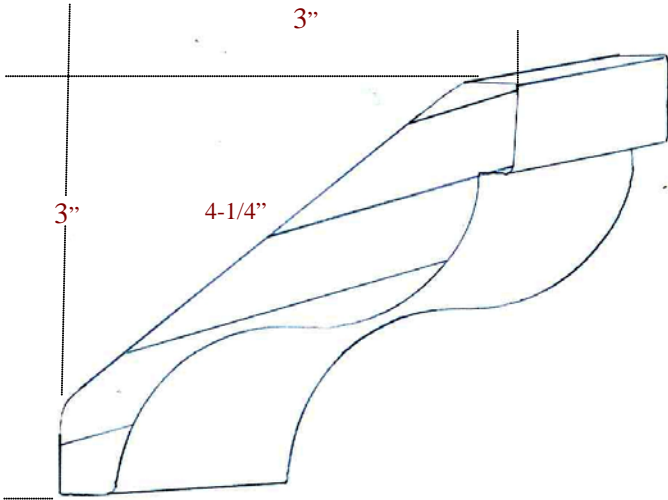
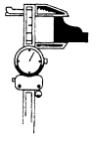
C-3079



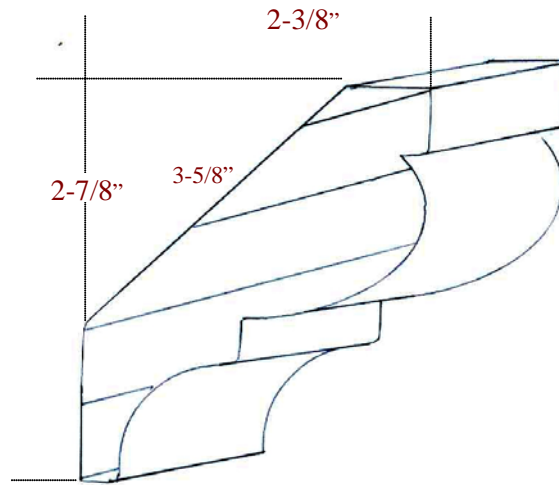
C-3081



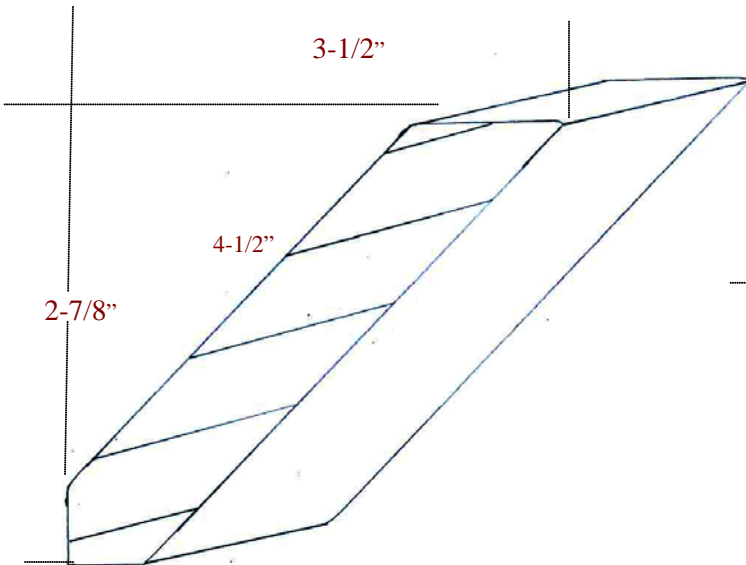
C-3082



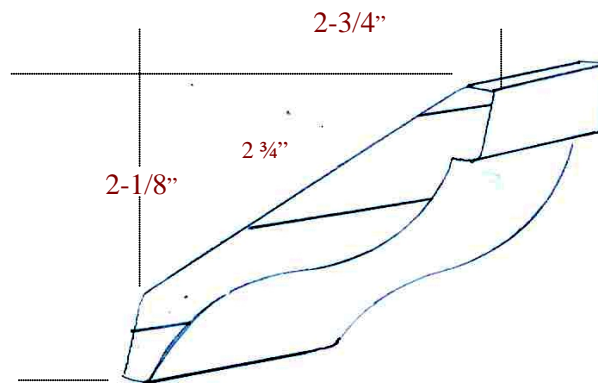
C-3085



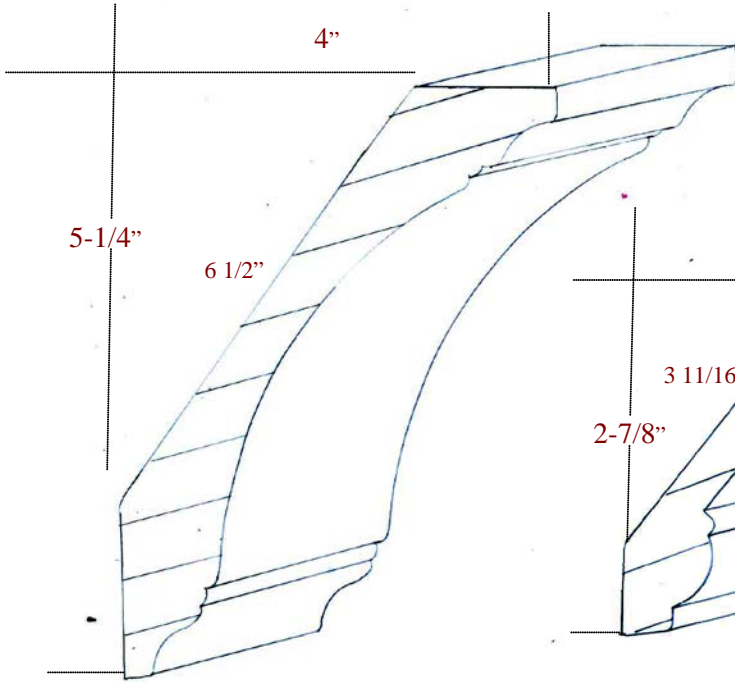
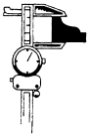
C-3086



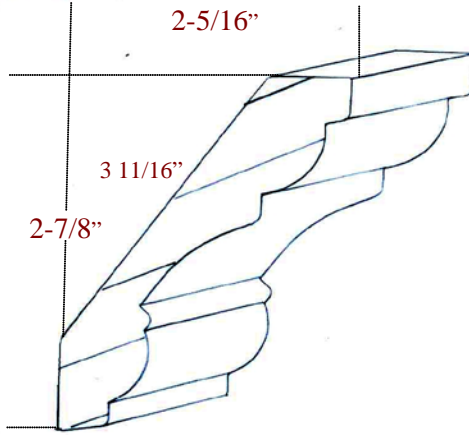
C-3087A  
C-3087 3-3/4"w



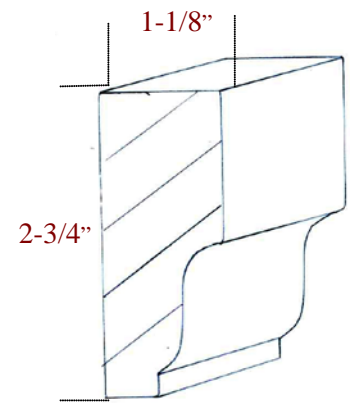
C-3088



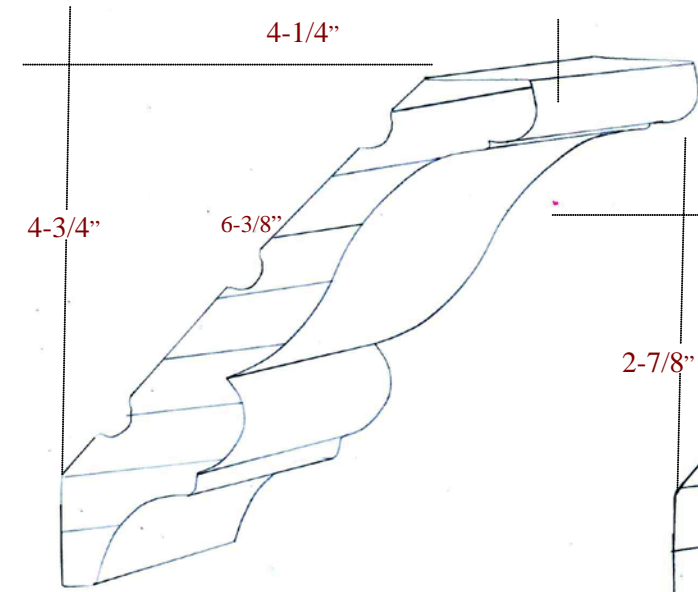
C-3089



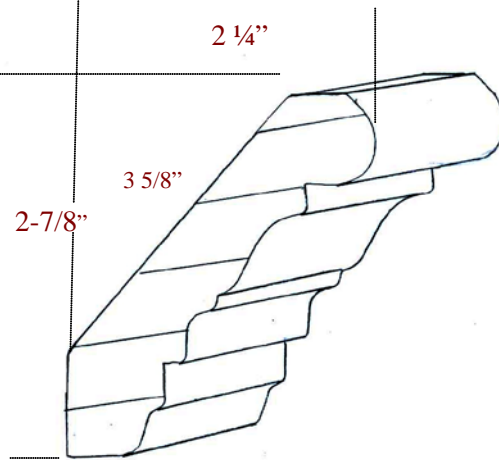
C-3090



C-3095

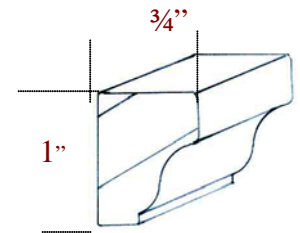


C-3091



C-3092

C-3092A 2-1/8" w, 1-5/8" rise x 1-3/8" run



C-3093