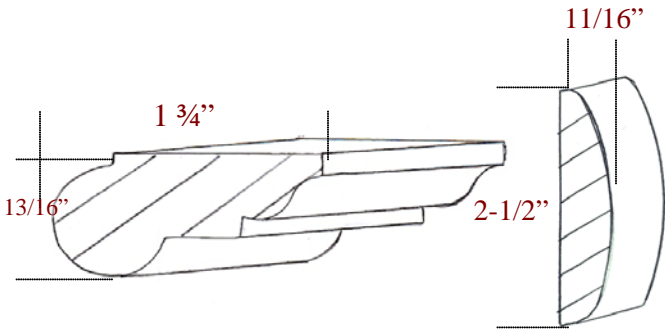
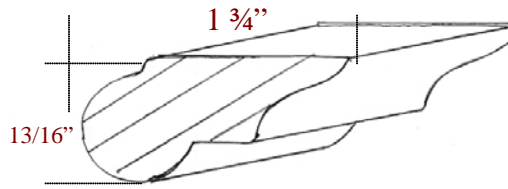


Cabinet Moldings

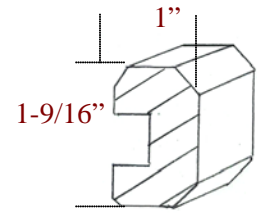


C-700

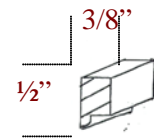
C-701



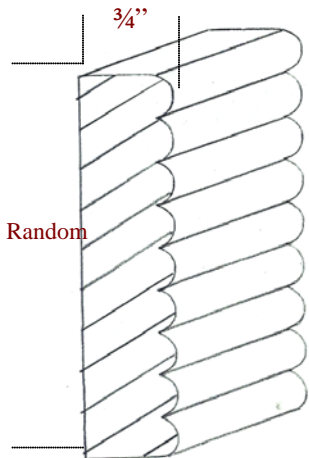
C-702



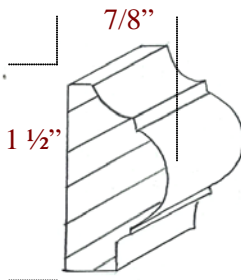
C-703



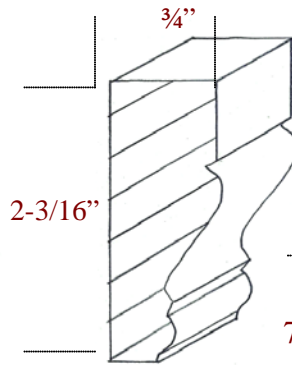
S-704
Glass Stop



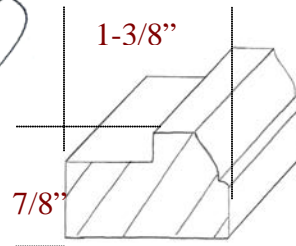
S-705



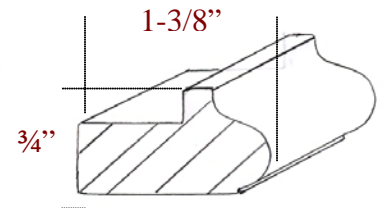
C-706



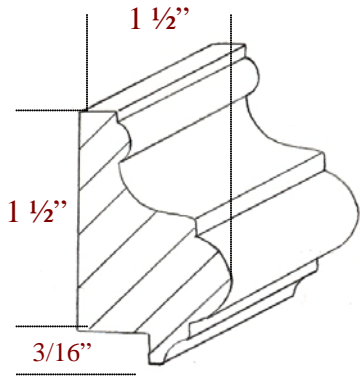
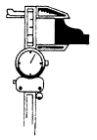
C-707



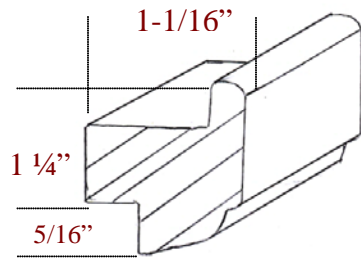
C-708



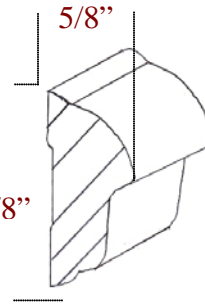
C-709



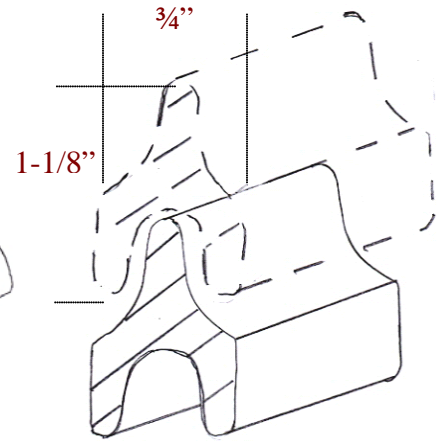
C-710



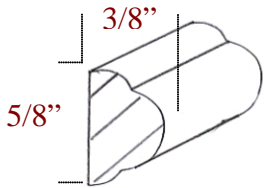
C-711



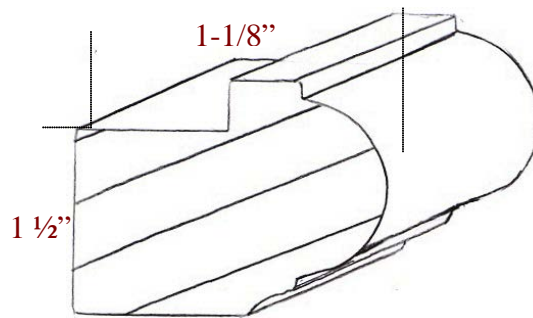
C-712



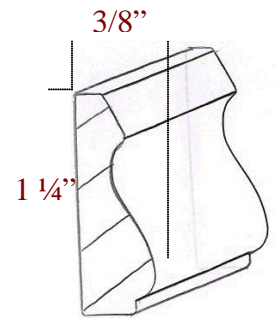
C-713



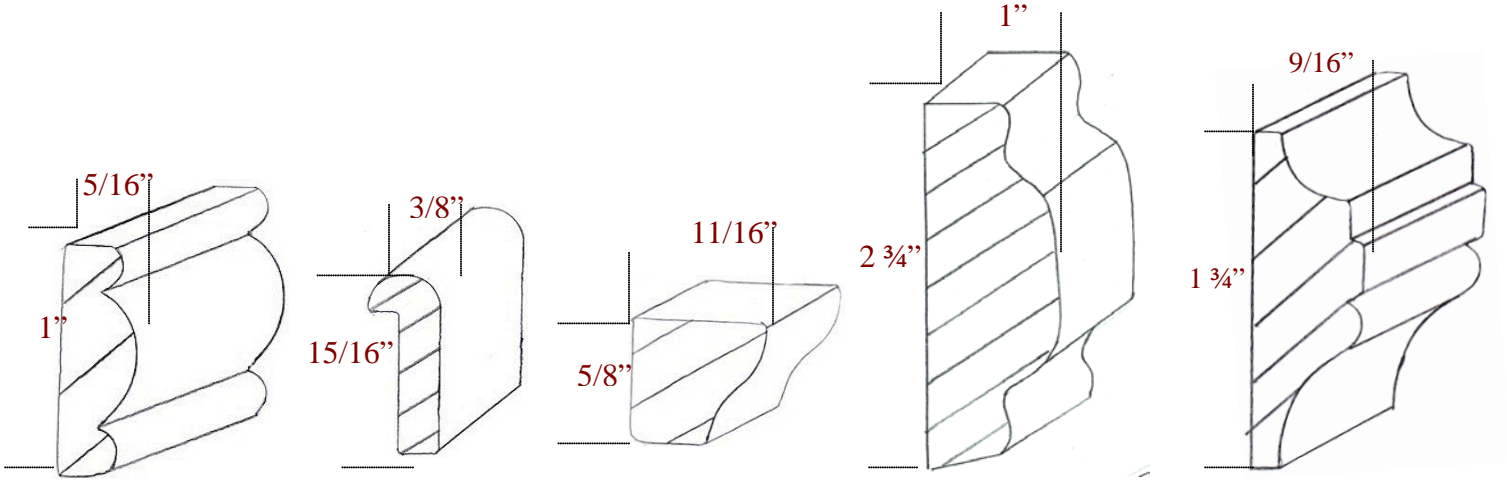
S-714



C-716



C-717



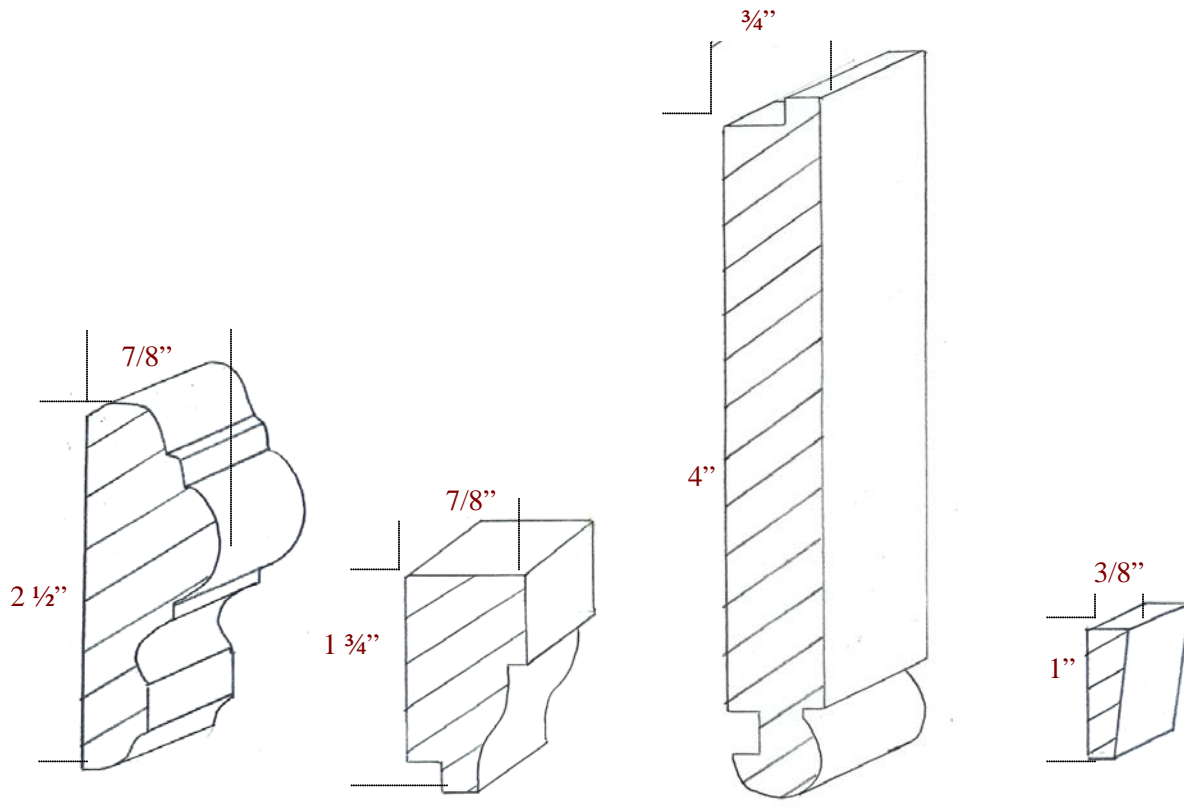
S-718

S-719

S-720

C-729

C-730

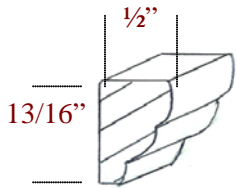
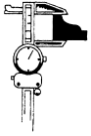


C-731

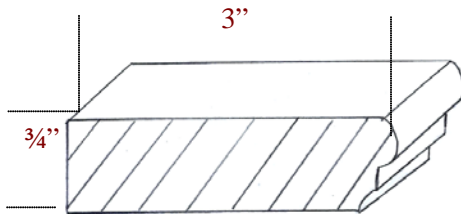
C-732

C-733

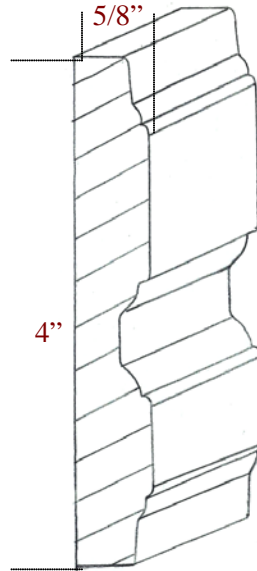
S-734



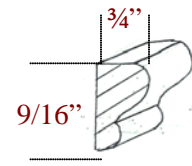
S-735



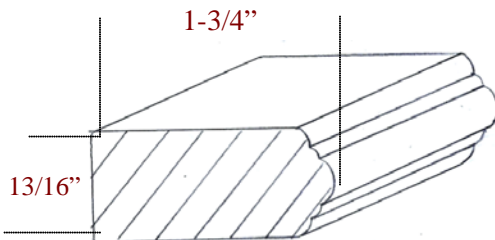
C-736



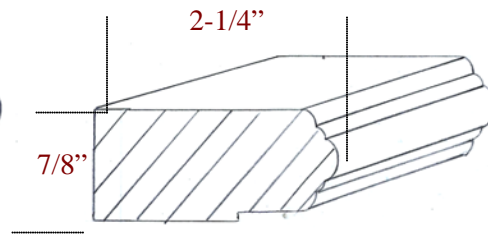
S-737



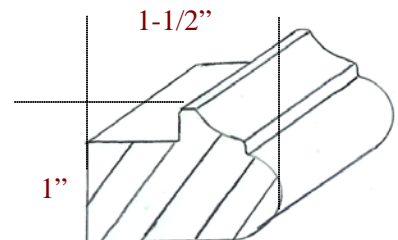
S-738



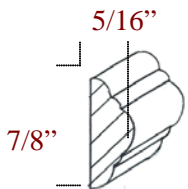
S-739



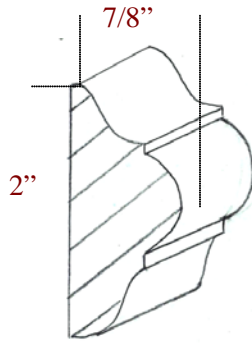
S-739A
Undercabinet Molding



S-740
Under Cabinet Molding



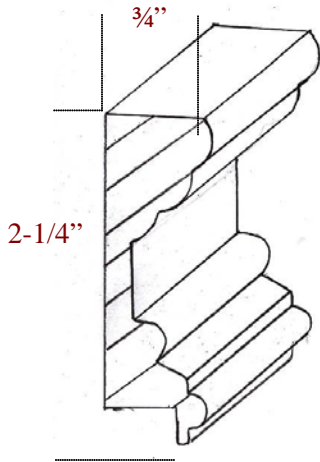
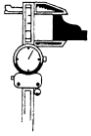
S-744



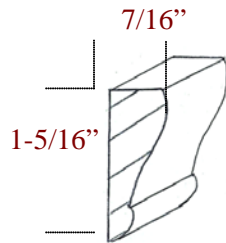
C-745

**S-741 & S-742, see Miscellaneous

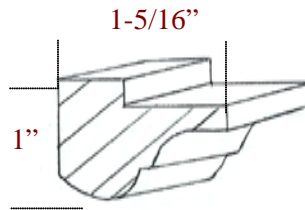
**S-743, see Picture Frames



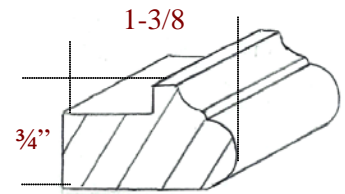
C-746



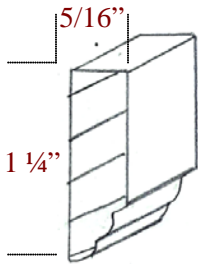
C-747



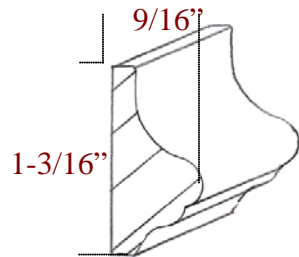
S-748



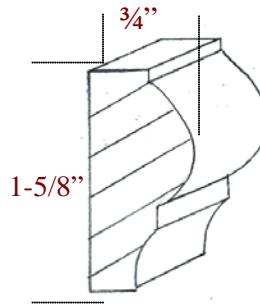
S-749



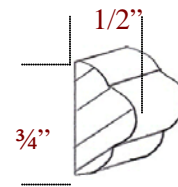
S-750
Scribe



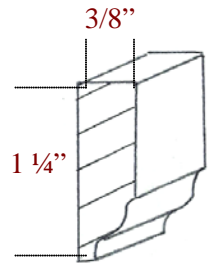
S-752



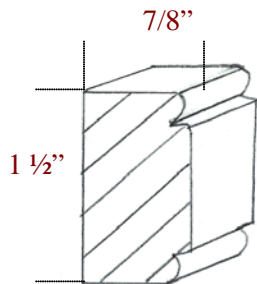
C-753



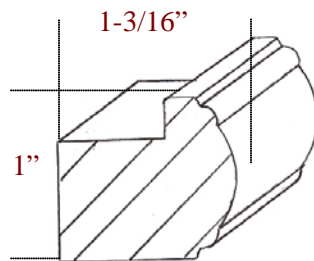
S-754



S-755
Scribe

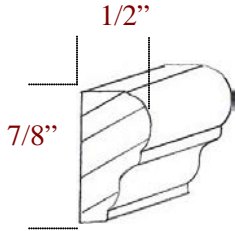


C-756

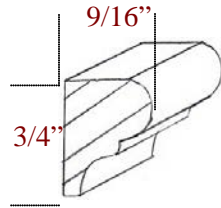


S-758

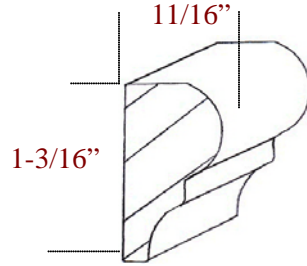




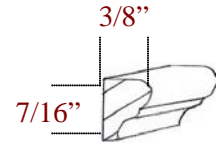
S-759



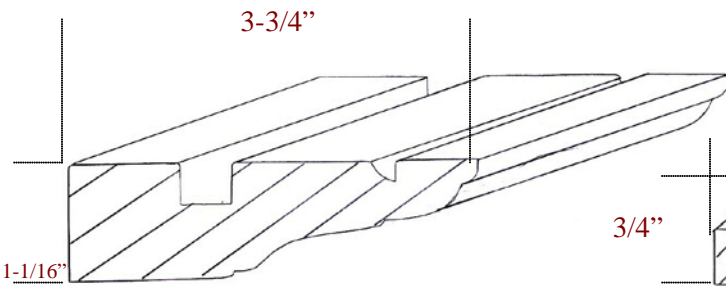
S-760



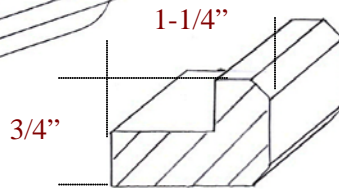
C-761



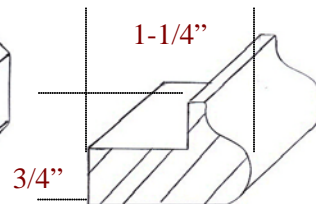
S-762



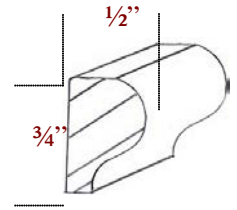
C-763



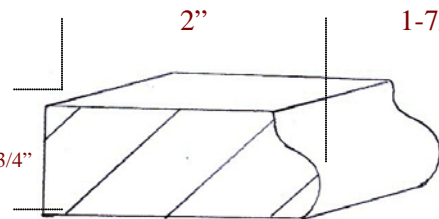
S-764



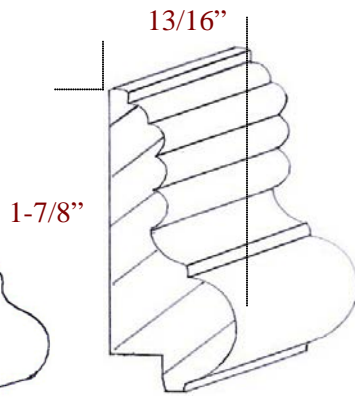
S-765



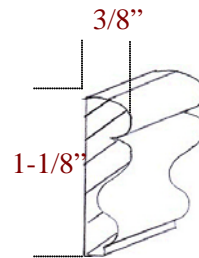
S-766



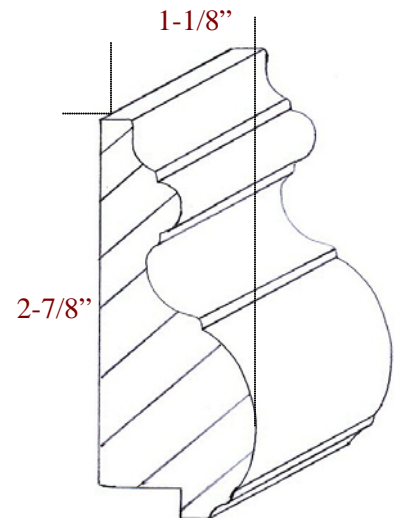
C-767



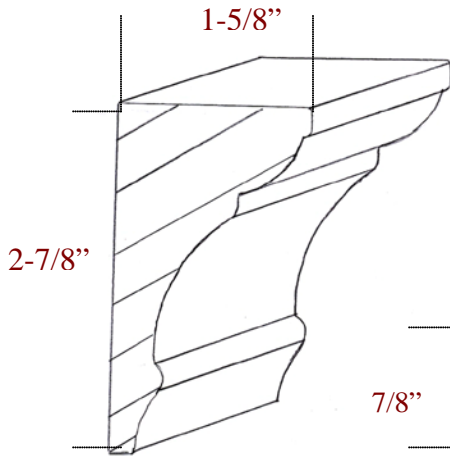
C-768



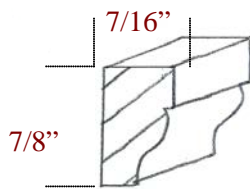
C-769



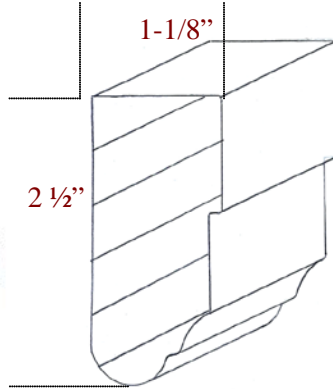
C-770



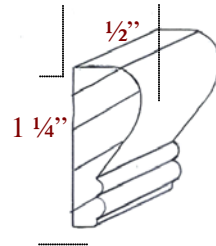
C-776



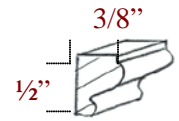
S-777



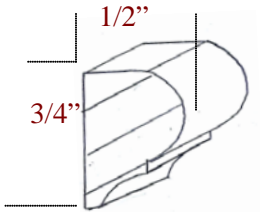
S-778



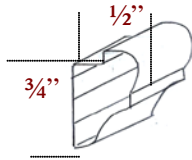
S-779



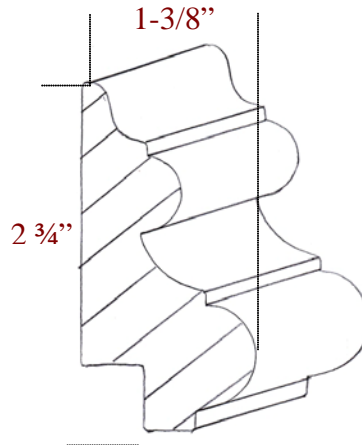
S-780



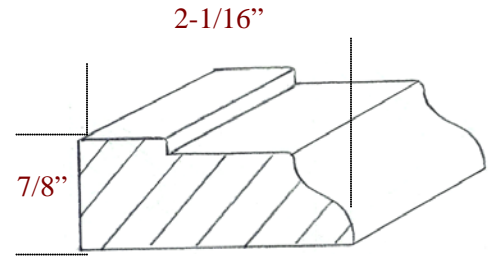
S-782



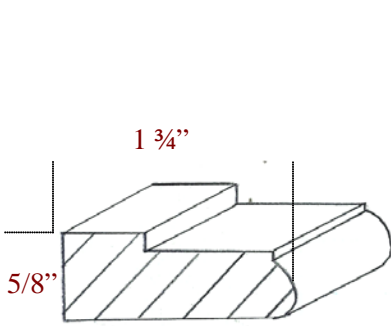
S-784



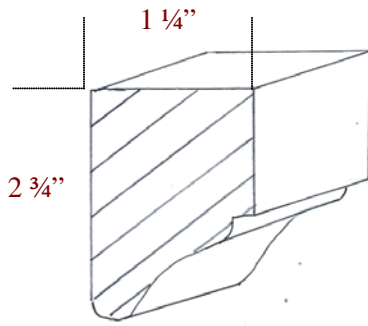
C-786



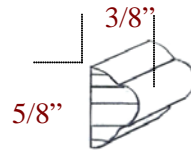
C-787
Under Cabinet Molding



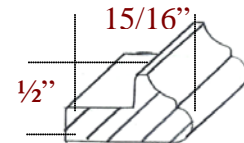
C-788



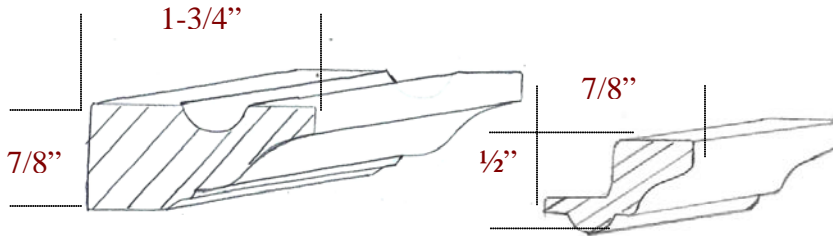
C-789



S-790

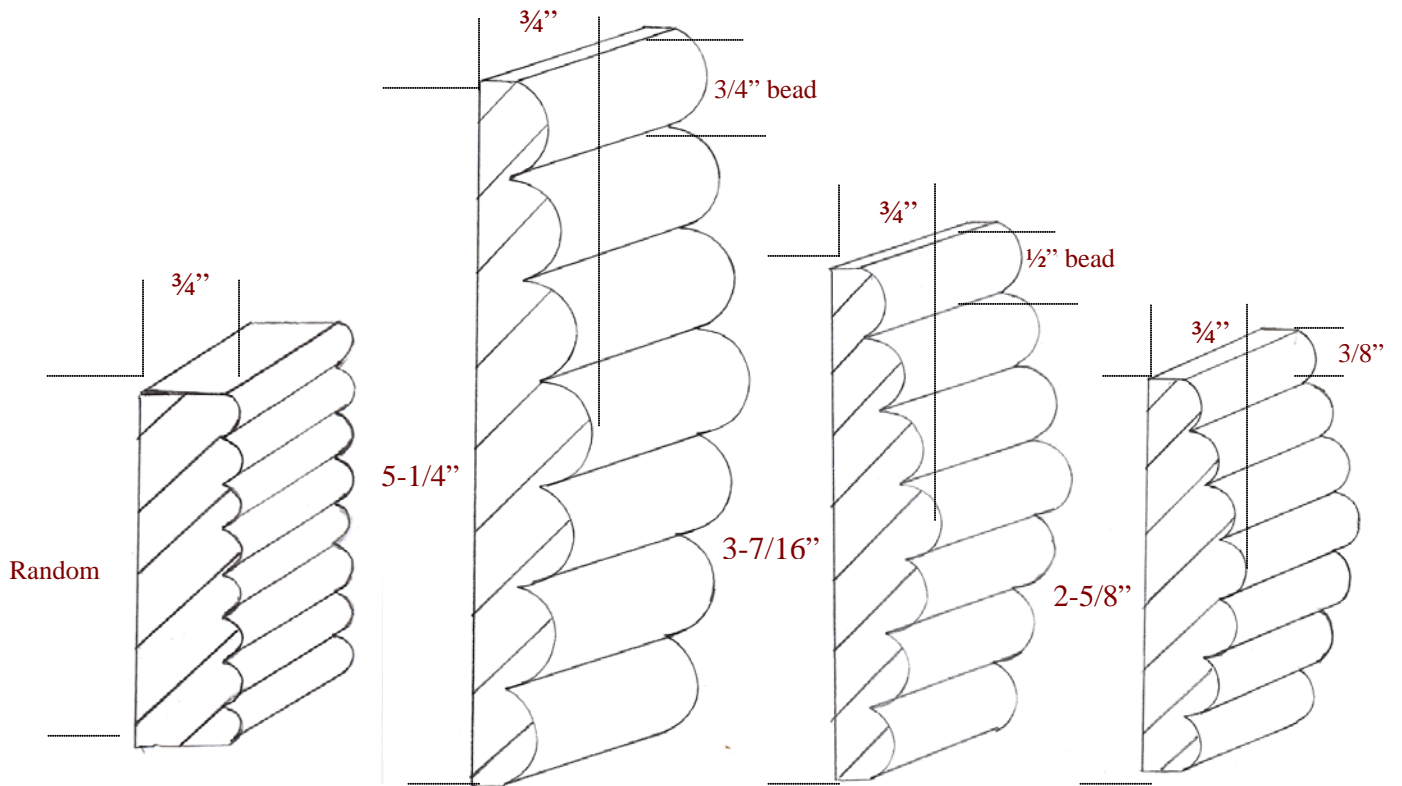


S-793



C-795
Plate Rail

S-796

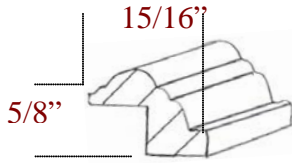


C-797
1/4" bead

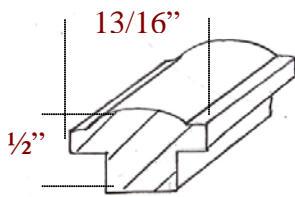
C-798A
Accent Molding

C-798B
Accent Molding

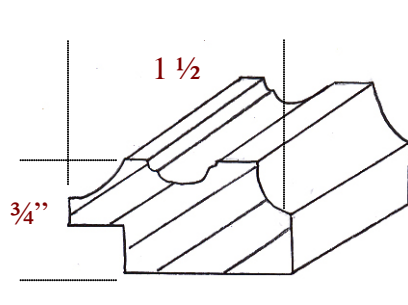
C-798C
Accent Molding



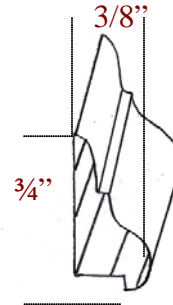
S-799



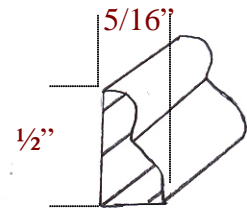
S-7000



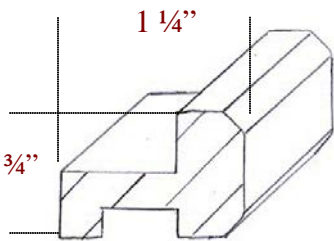
C-7001



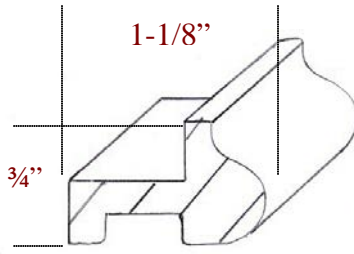
S-7002



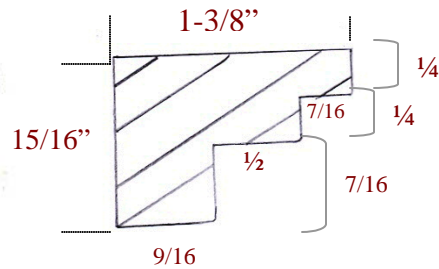
S-7003



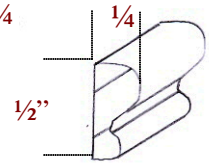
C-7004



C-7005

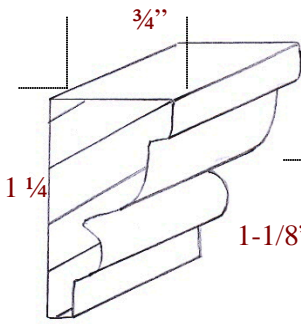


C-7006

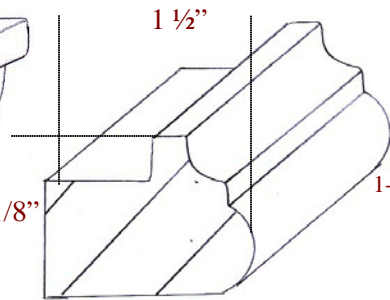


C-7007

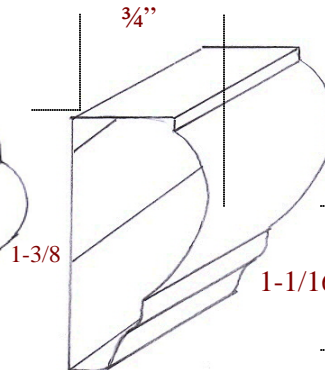
* Soffits with 13/16" plow*



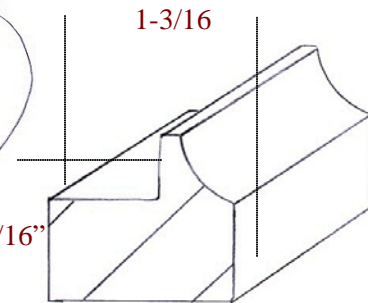
C-7008



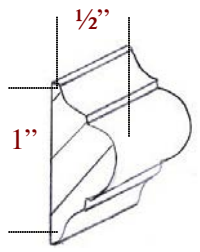
C-7009
* 13/16" plow*



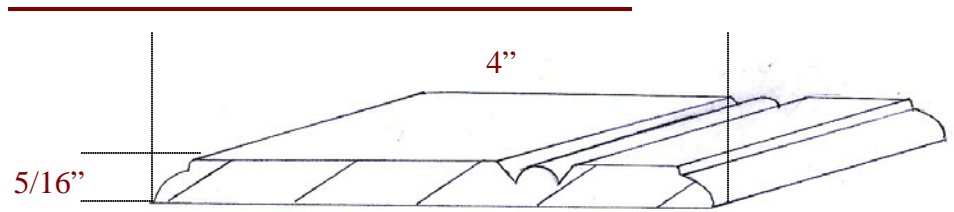
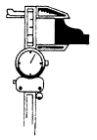
C-7010



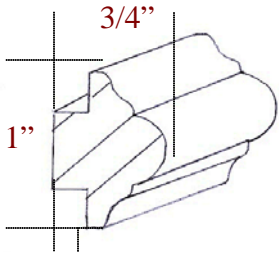
C-7011
* 13/16" plow*



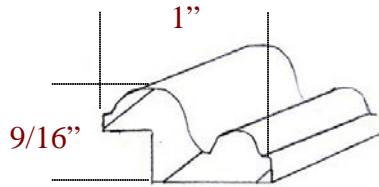
C-7012



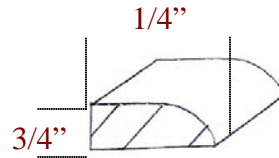
S-7013 sample molding



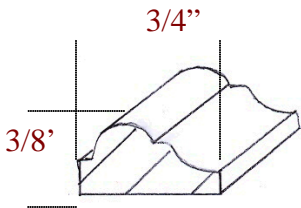
1/4"
S-7012A



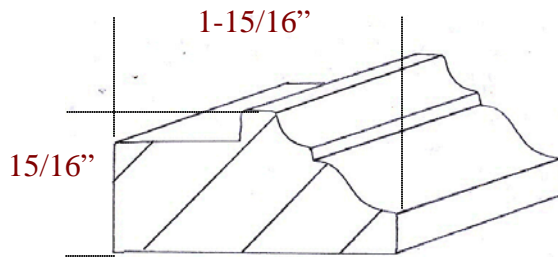
S-7015



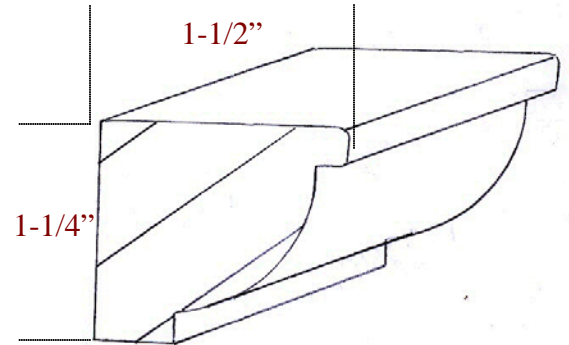
S-7016



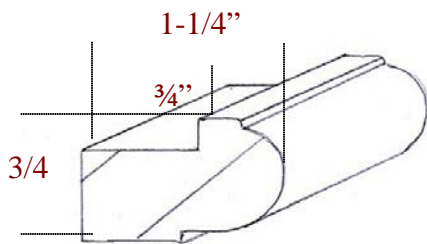
S-7017



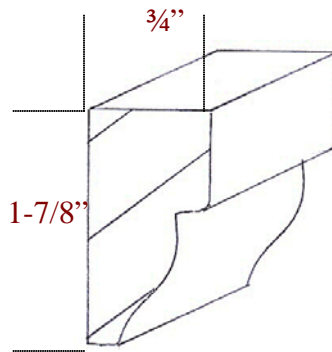
C-7018



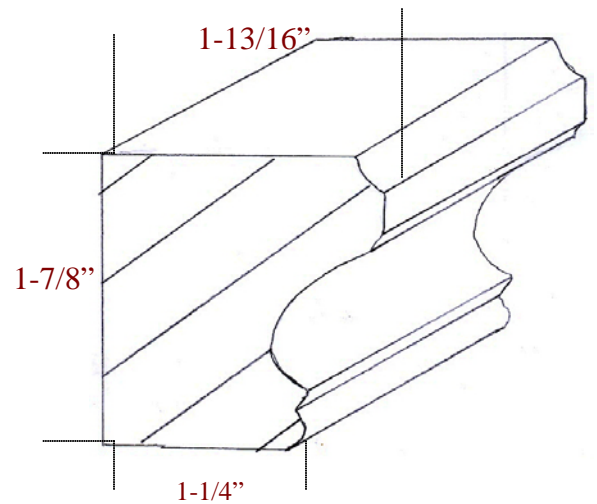
C-7019



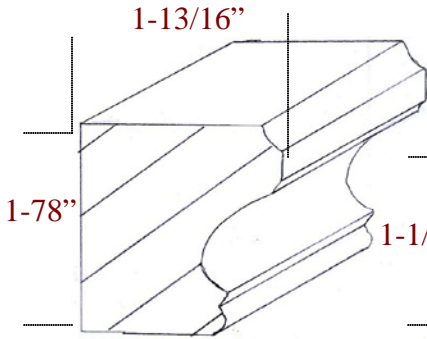
C-7020



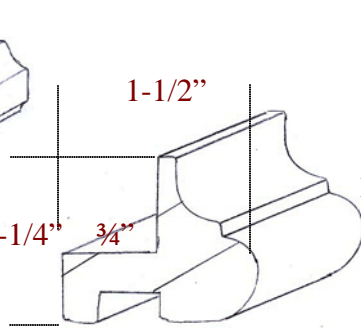
C-7021



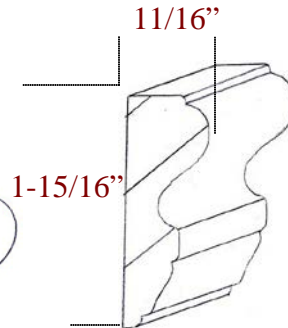
C-7023



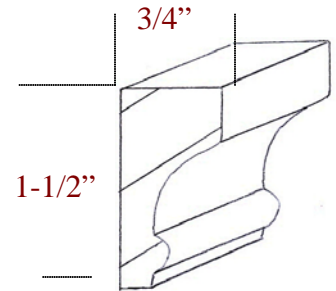
C-7023



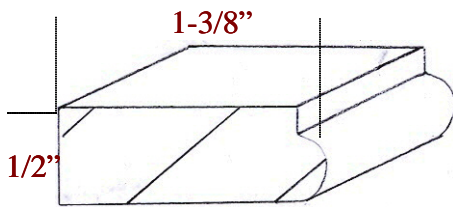
C-7024



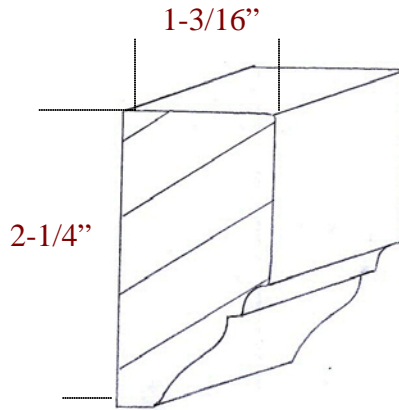
C-7025



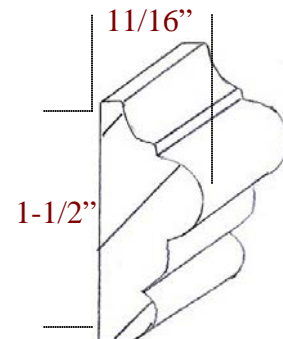
C-7026



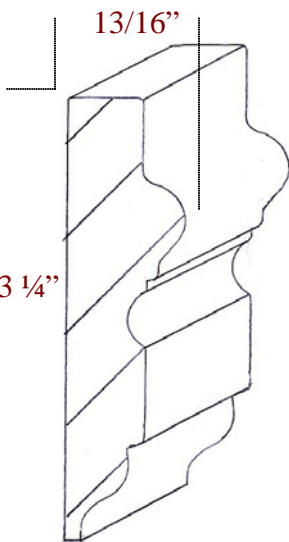
C-7027



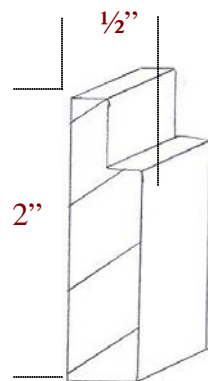
C-7028



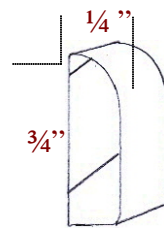
C-7029



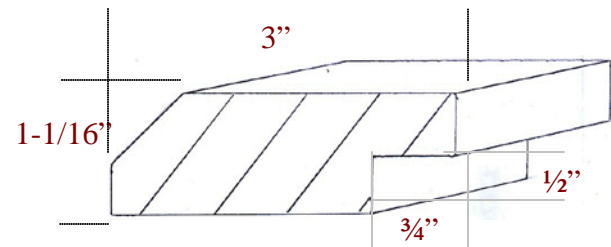
C-771



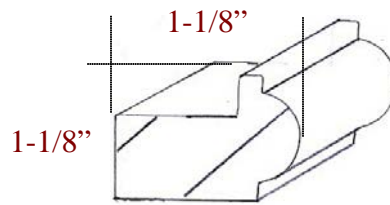
C-772



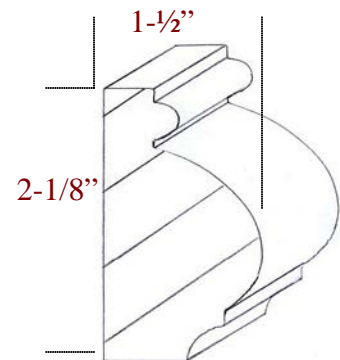
C-774



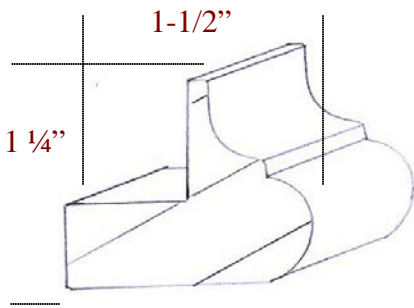
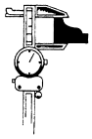
C-7030



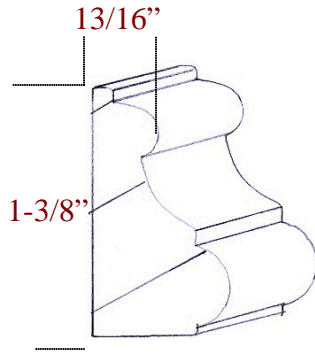
C-773



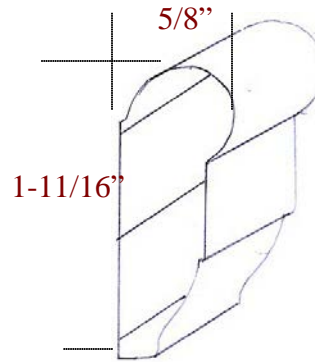
C-7031



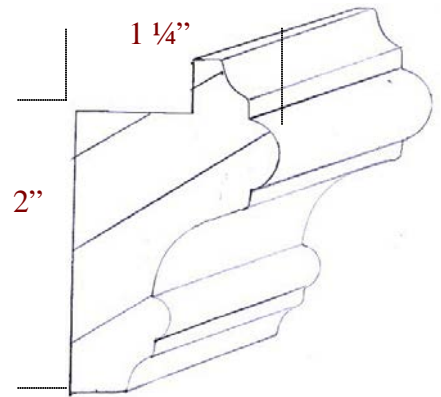
C-7024A
3/4\" x 1/2\" notch



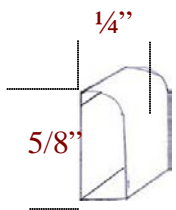
C-7033



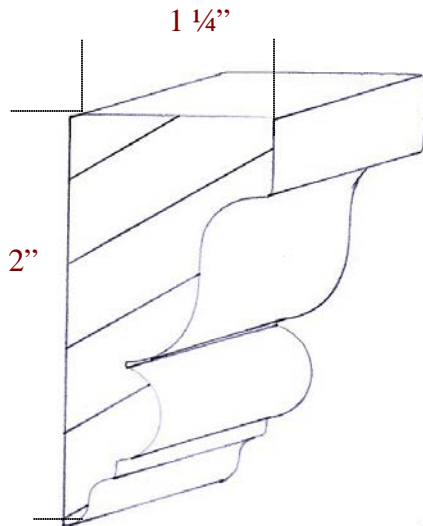
C-7036



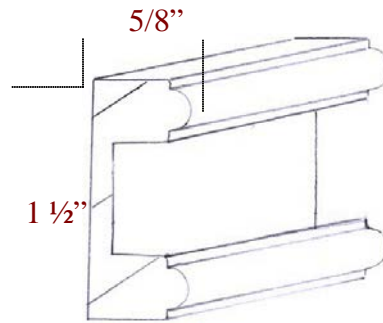
C-7037
3/4\" notch



S-7034

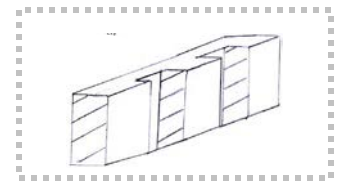


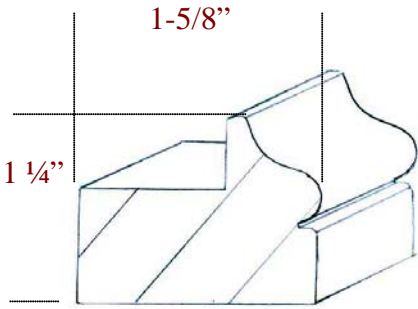
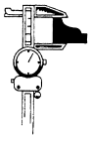
C-7041



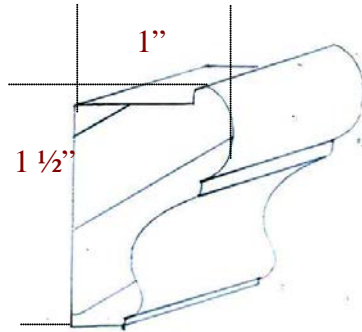
C-7040

for 3/4\" dentil or rope application

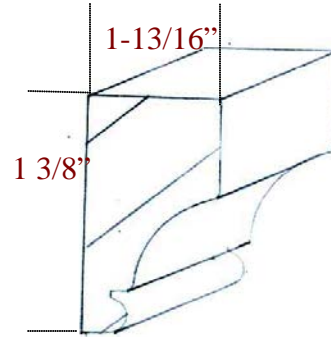




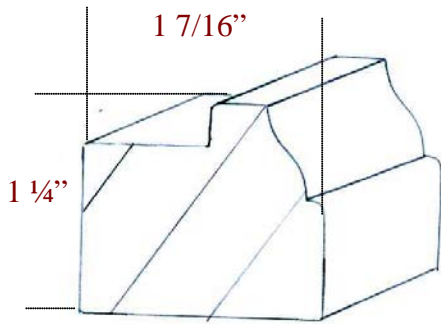
C-7043
1/2x1 notch



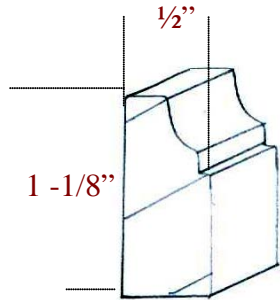
C-7046
1/8x3/4 notch



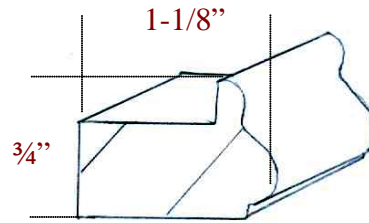
C-7047



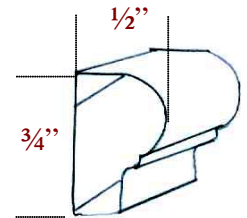
C-7049
1-7/16x1-1/4 notch



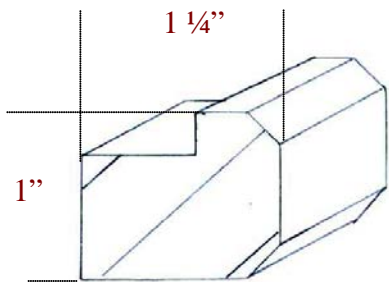
C-7050



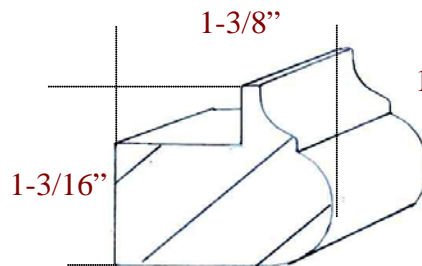
C-7052
1/4x3/4



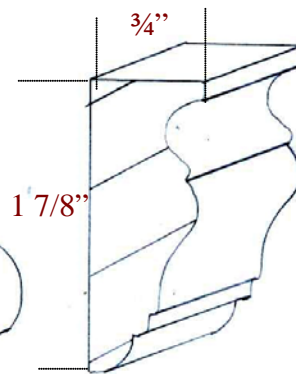
C-7053



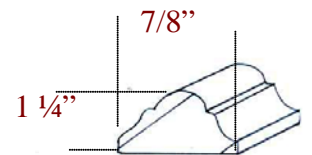
C-7054
1/4x3/4 notch



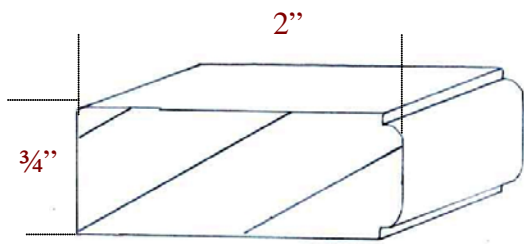
C-7055
13/16x3/8 notch



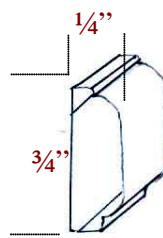
C-7056



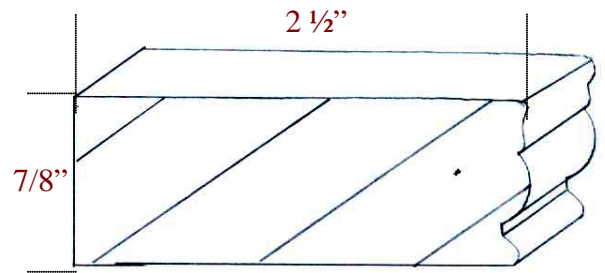
C-7057



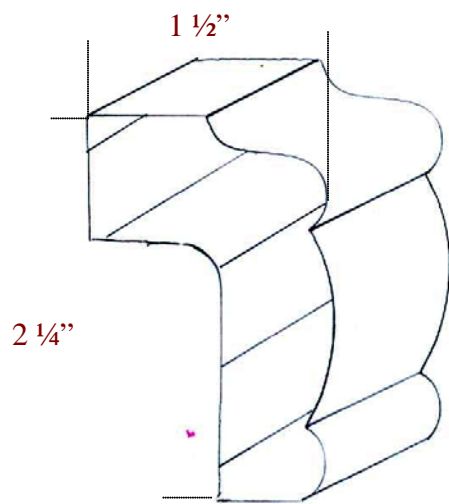
C-7058



C-7058A



C-7059



C-792